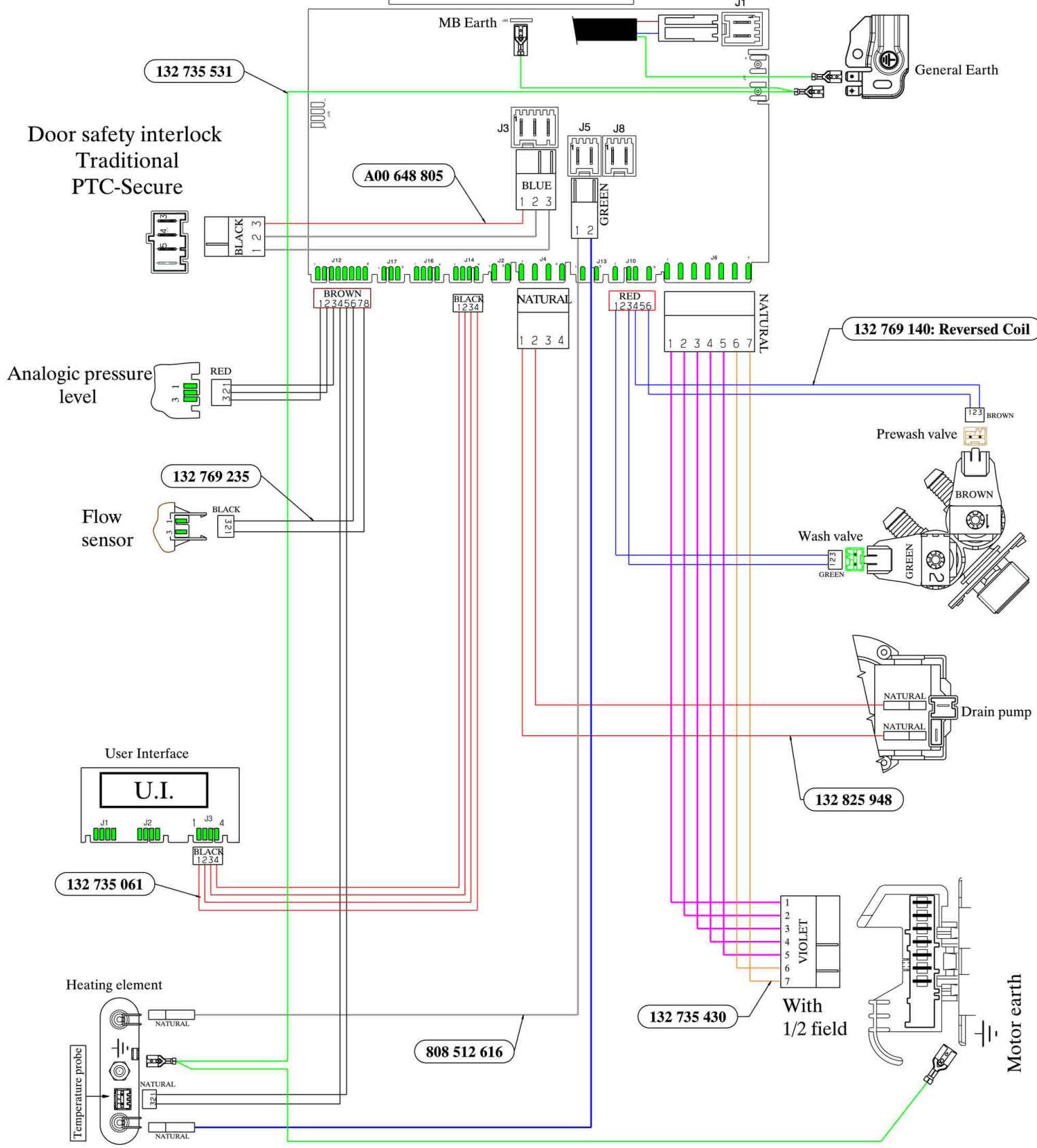


# WIRING HARNESSES



132 735 531

Door safety interlock  
Traditional  
PTC-Secure

A00 648 805

Analogic pressure  
level

132 769 235

Flow  
sensor

User Interface

U.I.

132 735 061

Heating element

Temperature probe

808 512 616

132 735 430

With  
1/2 field

132 825 948

132 769 140: Reversed Coil

Prewash valve

Wash valve

Drain pump

Motor earth

General Earth

MB Earth

J1

J3

J5

J8

BROWN  
1 2 3 4 5 6 7 8

BLACK  
1 2 3 4

NATURAL  
1 2 3 4

RED  
1 2 3 4 5 6

NATURAL  
1 2 3 4 5 6 7

1 2 3  
BROWN

1 2 3  
GREEN

NATURAL  
NATURAL

1  
2  
3  
4  
5  
6  
7  
VIOLET