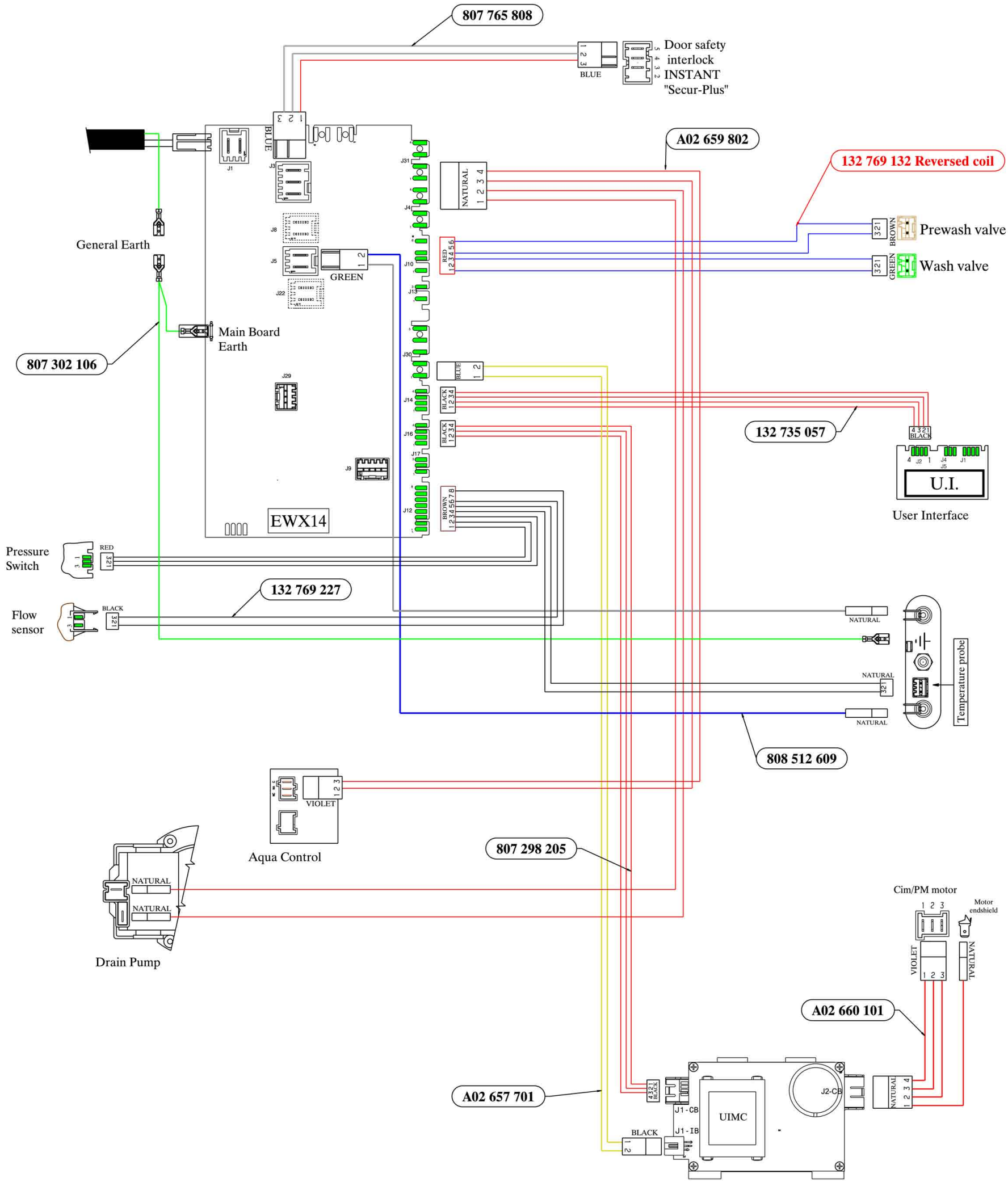


WIRING HARNESSES



807 765 808

Door safety interlock
INSTANT
"Secur-Plus"

A02 659 802

132 769 132 Reversed coil

General Earth

Main Board Earth

Prewash valve

Wash valve

807 302 106

132 769 227

132 735 057

U.I.
User Interface

Pressure Switch

Flow sensor

Temperature probe

808 512 609

Aqua Control

807 298 205

Drain Pump

Cim/PM motor

A02 657 701

A02 660 101

UIMC
J1-CB
J1-IB
J2-CB

Motor
endshield