

LEAKAGE SWITCH

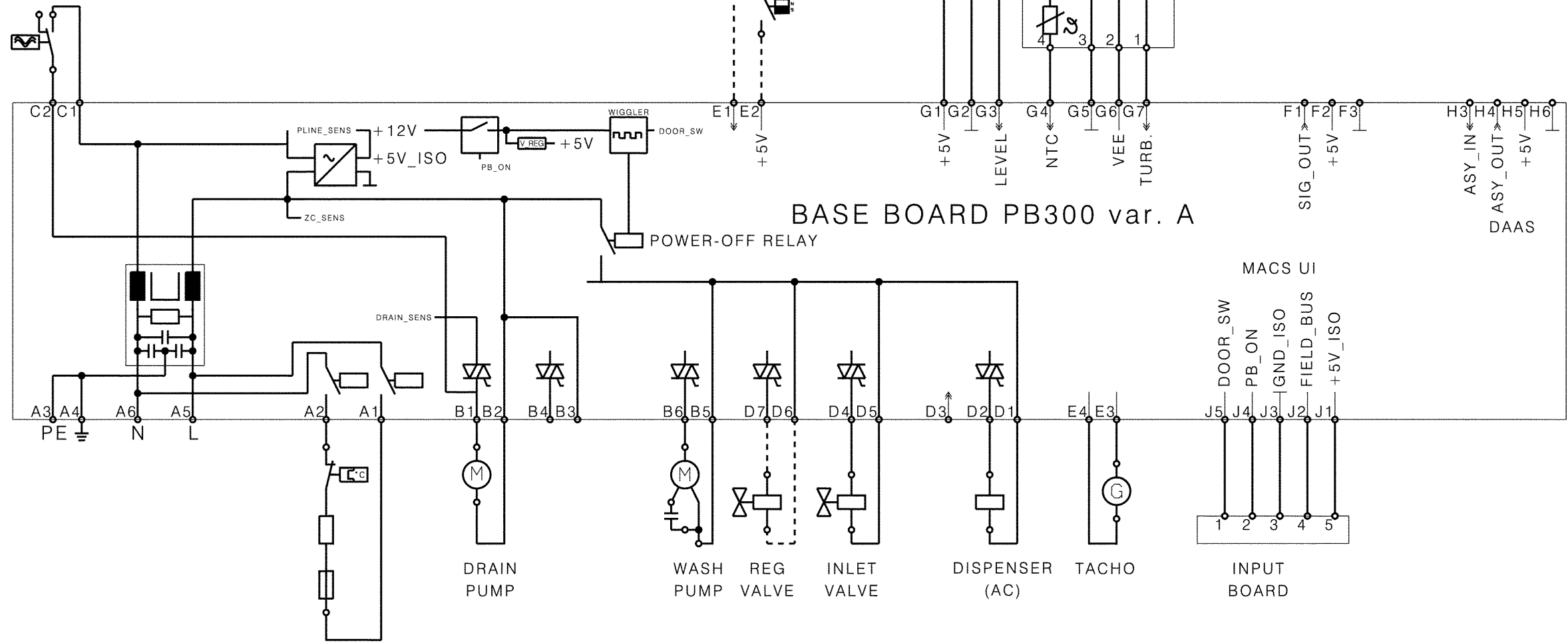
SALT AID

PRESSURE SENSOR

NTC/ TURBIDITY SENSOR

BASE BOARD PB300 var. A

MACS UI



CIRCUIT DIAGRAM

HEATER

DRAIN PUMP

WASH PUMP

REG VALVE

INLET VALVE

DISPENSER (AC)

TACHO

INPUT BOARD