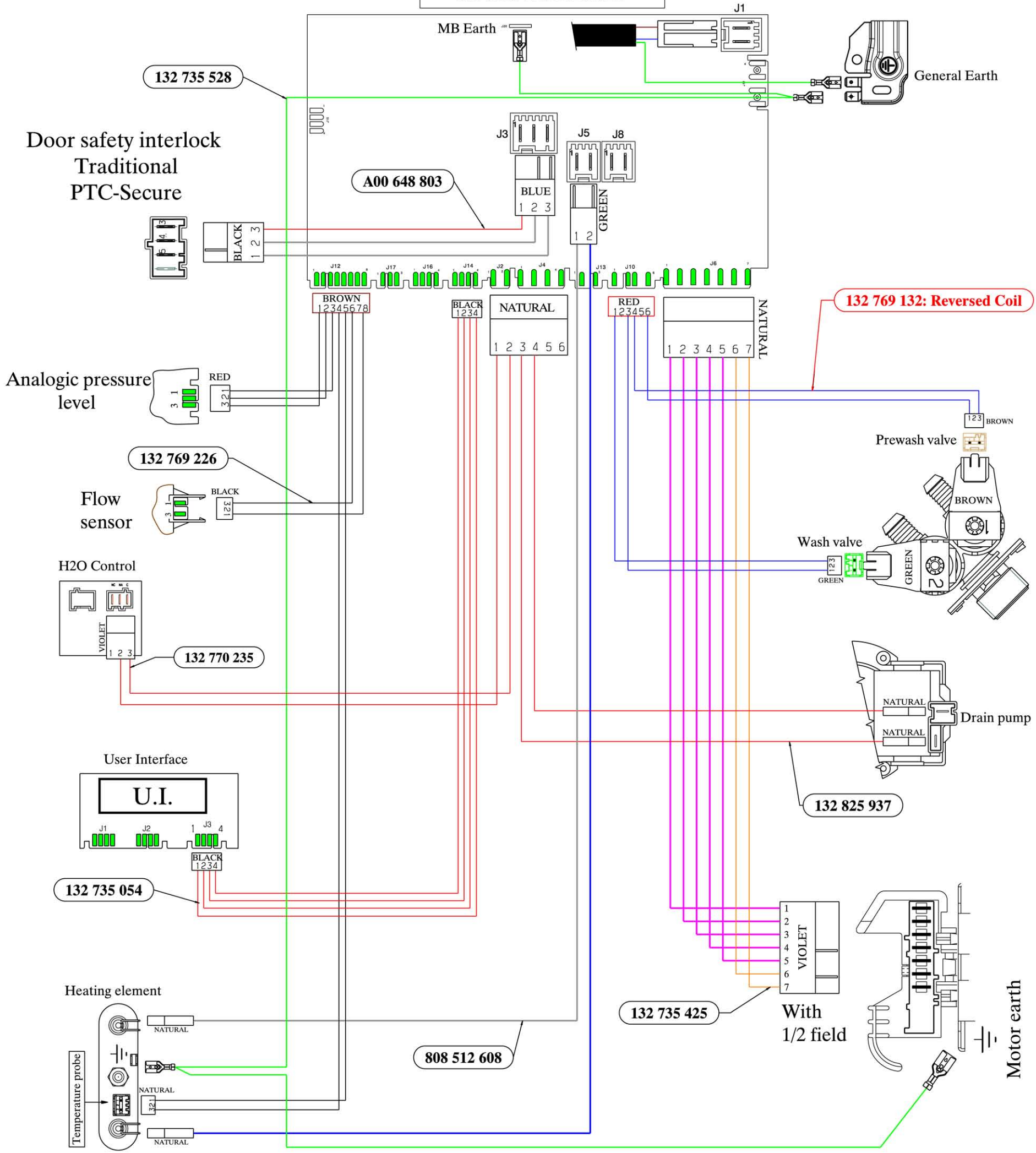


WIRING HARNESSES



132 735 528

Door safety interlock
Traditional
PTC-Secure

A00 648 803

Analogic pressure
level

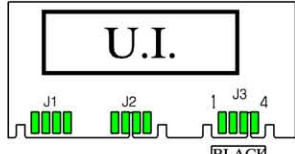
132 769 226

Flow
sensor

H2O Control

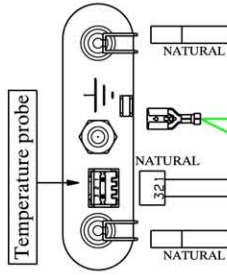
132 770 235

User Interface



132 735 054

Heating element



808 512 608

132 769 132: Reversed Coil

Prewash valve

Wash valve

Drain pump

132 825 937

132 735 425

With
1/2 field

Motor earth