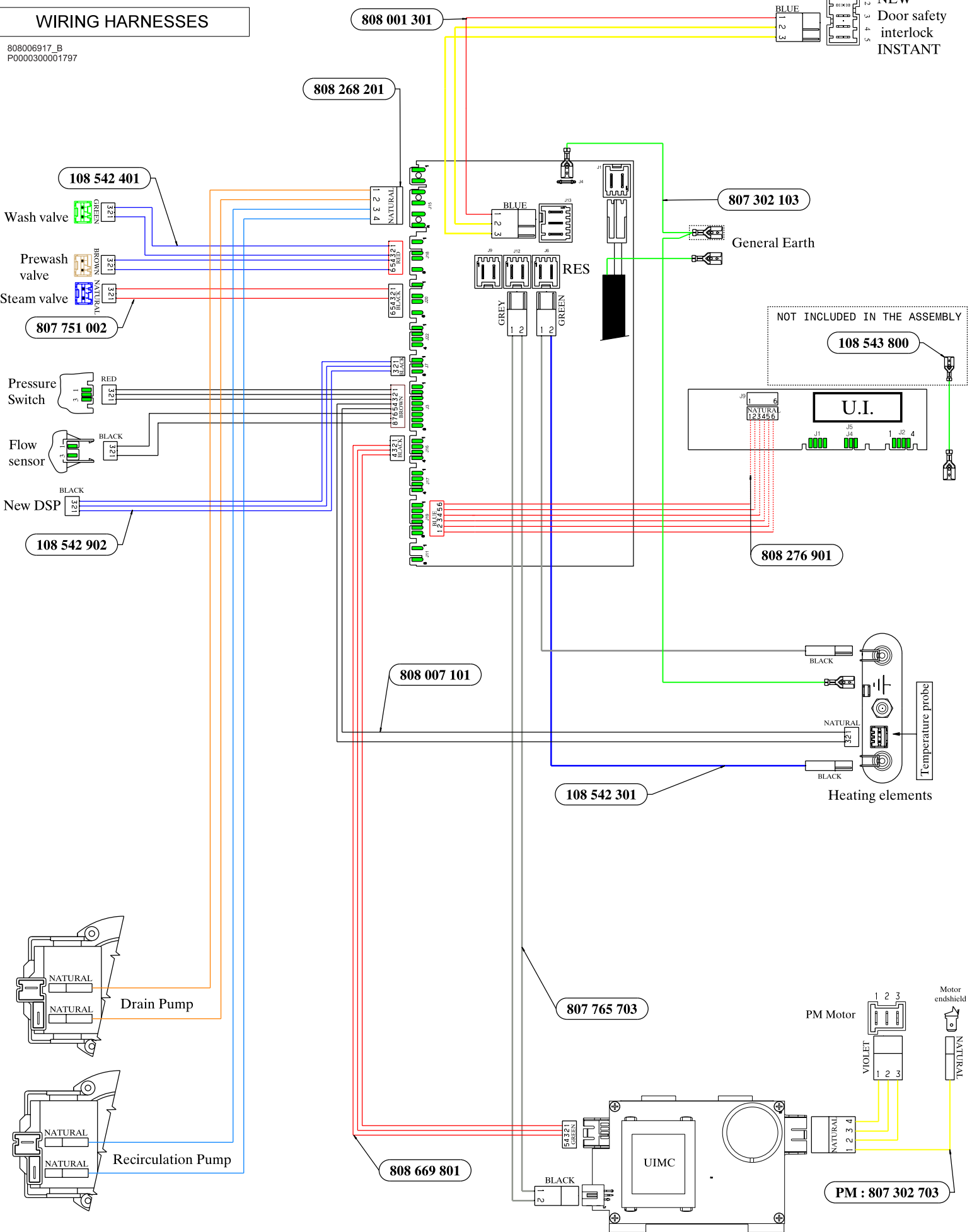


WIRING HARNESSES

808006917_B
P0000300001797

NEW
Door safety
interlock
INSTANT



808 001 301

808 268 201

BLUE
1 2 3

108 542 401

Wash valve
Prewash valve
Steam valve

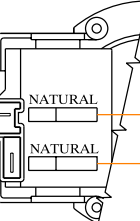
807 751 002

Pressure Switch
Flow sensor

108 542 902

New DSP

808 007 101



Drain Pump



Recirculation Pump

808 669 801

BLACK
1 2

807 765 703

GREEN
1 2 3 4

BLACK
1 2

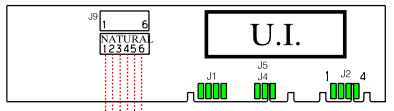
UIMC

807 302 103

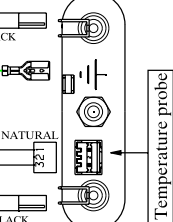
General Earth

NOT INCLUDED IN THE ASSEMBLY

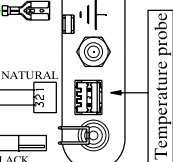
108 543 800



808 276 901

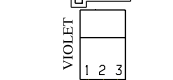


Heating elements



Temperature probe

PM Motor



Motor endshield

PM : 807 302 703