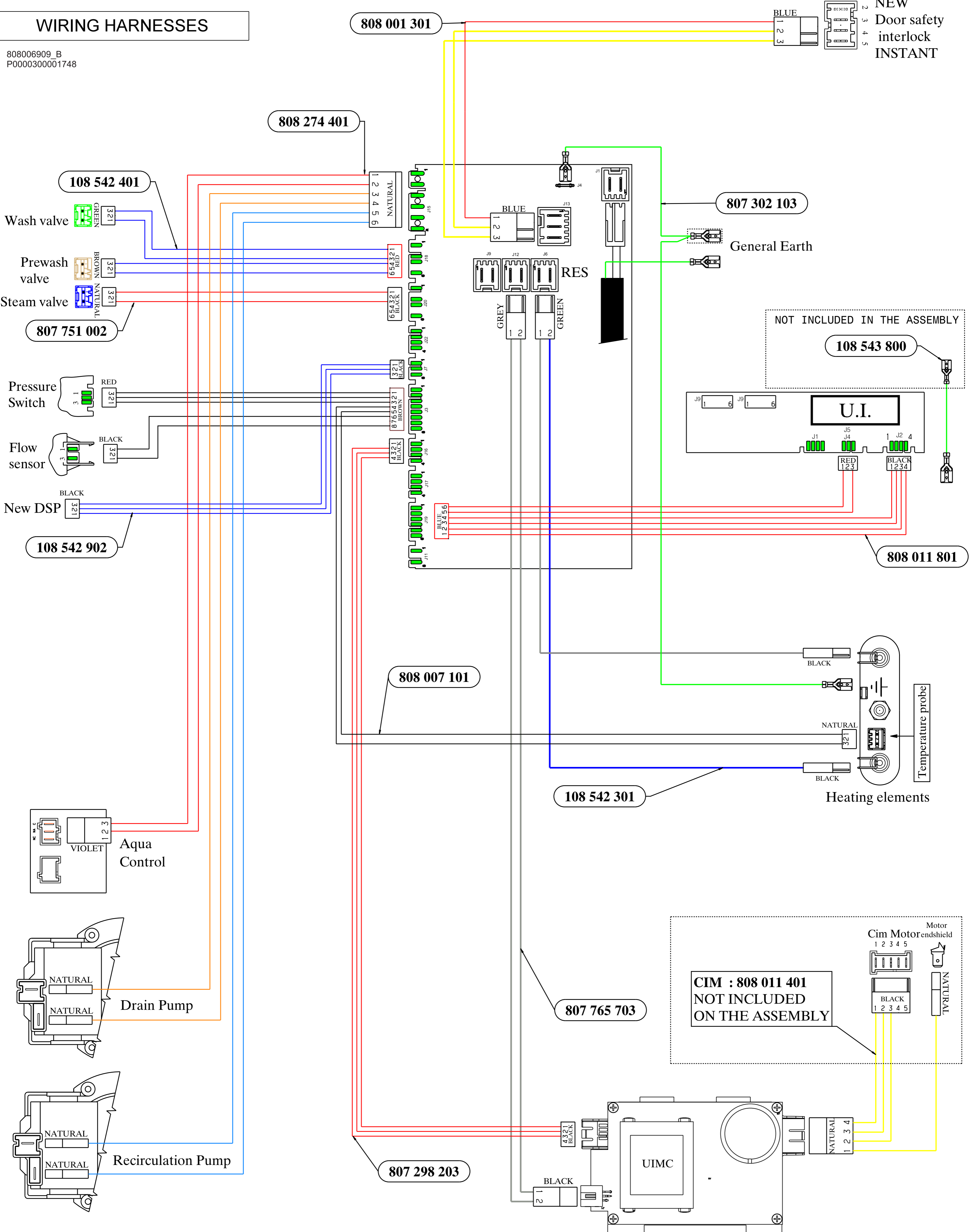


# WIRING HARNESSES

808006909\_B  
P0000300001748



808 001 301

808 274 401

108 542 401

Wash valve

Prewash valve

Steam valve

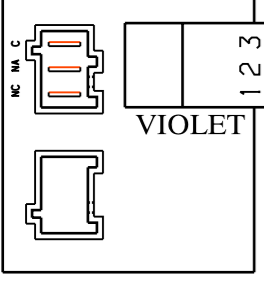
807 751 002

Pressure Switch

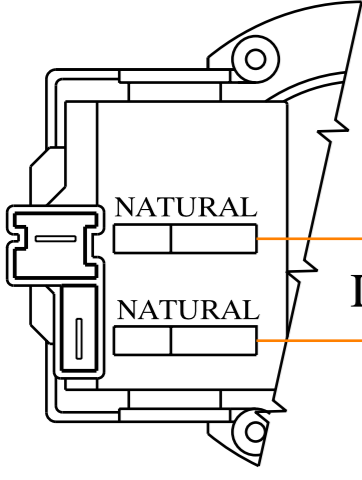
Flow sensor

New DSP

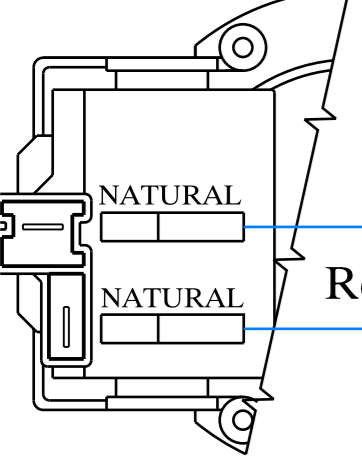
108 542 902



Aqua Control



Drain Pump



Recirculation Pump

808 007 101

108 542 301

807 765 703

807 298 203

807 302 103

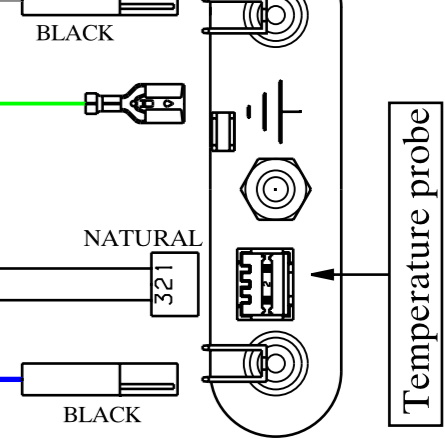
General Earth

NOT INCLUDED IN THE ASSEMBLY

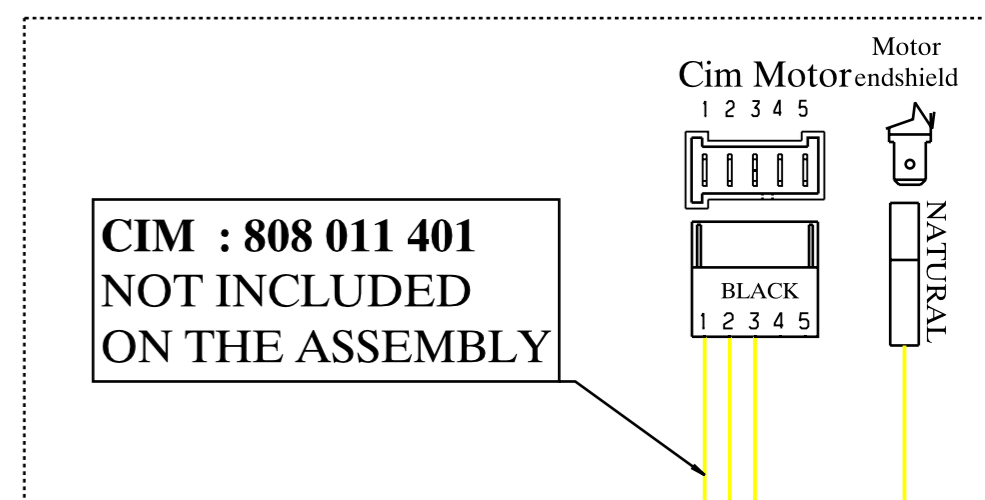
108 543 800

U.I.

808 011 801

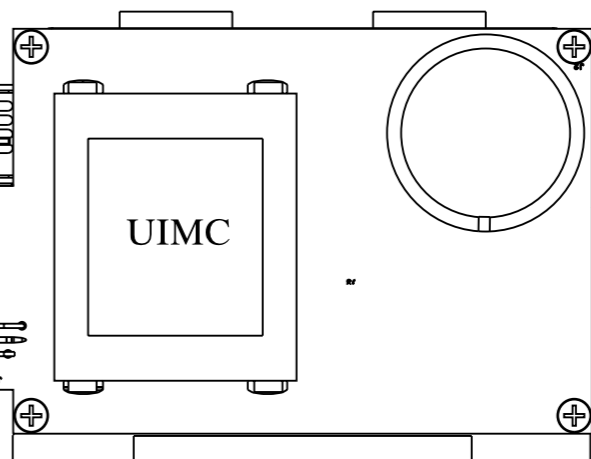


Heating elements



CIM : 808 011 401  
NOT INCLUDED  
ON THE ASSEMBLY

Motor endshield



UIMC

NEW  
Door safety  
interlock  
INSTANT

