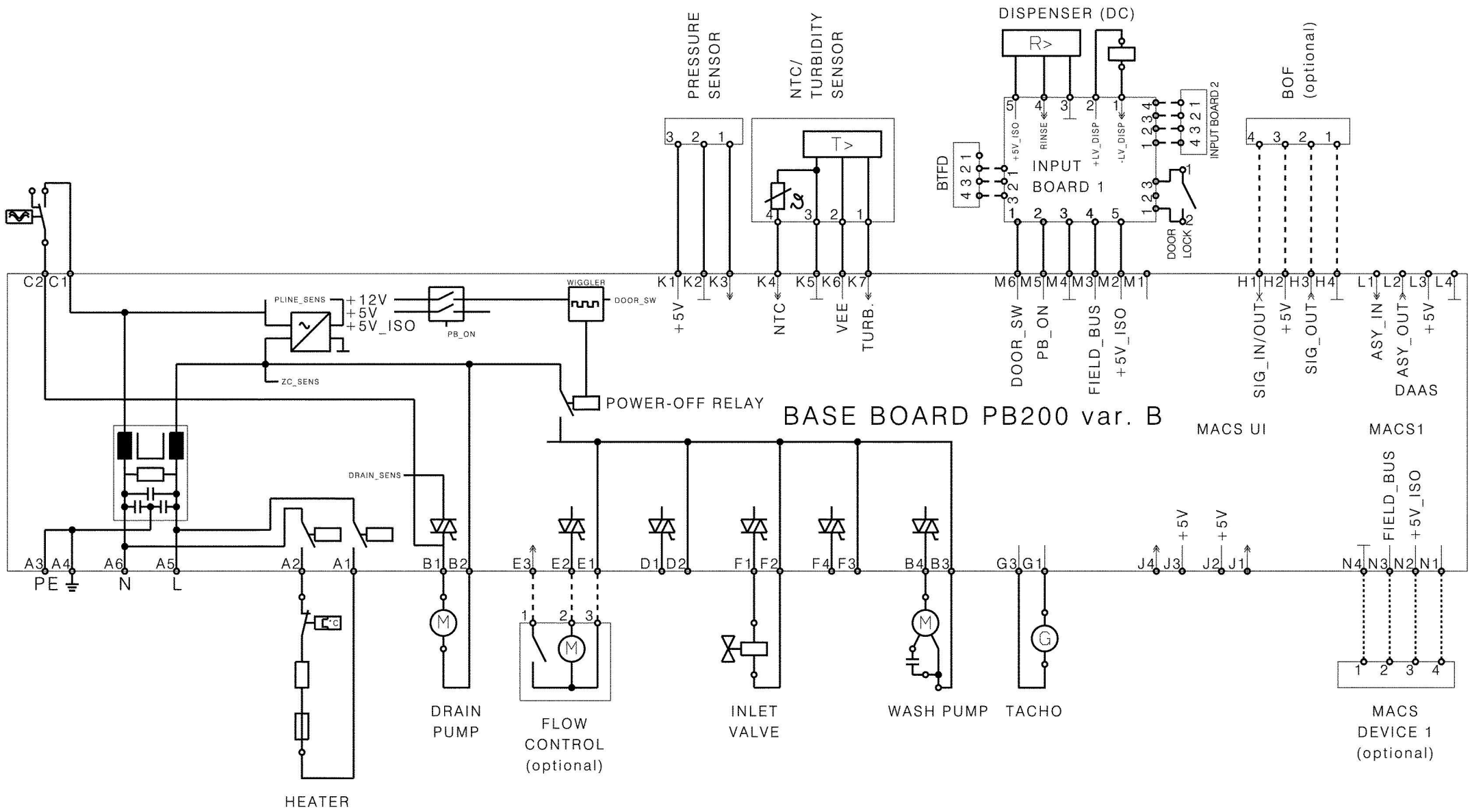


LEAKAGE SWITCH



CIRCUIT DIAGRAM