

WIRING HARNESSSES

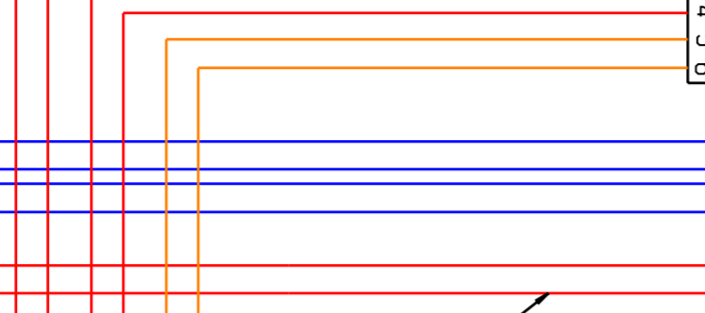
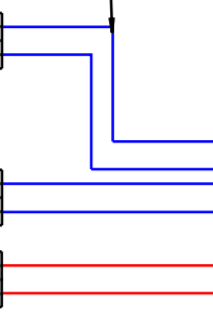
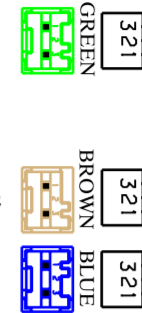
807286113_B
P0000300001588

807 301 305

132 7694 02

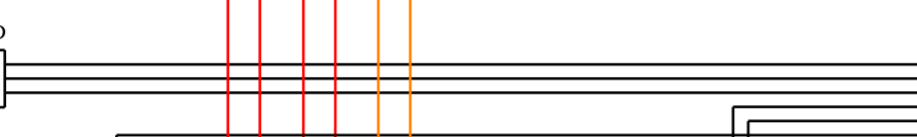
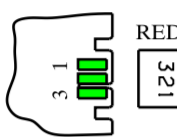
132 769 101

Wash valve
Prewash valve
Bleach valve

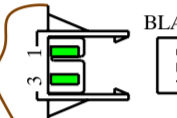


132 769 902

Pressure Switch



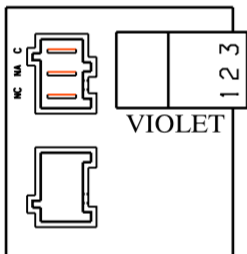
Flow sensor



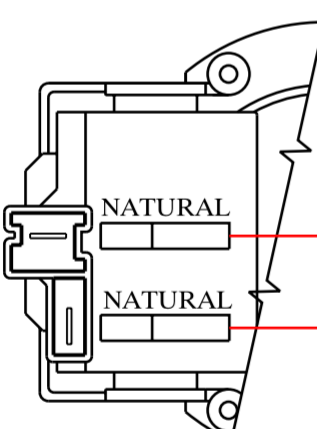
132 769 214



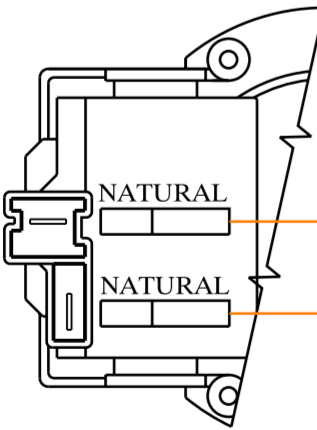
Aqua Control



Drain Pump

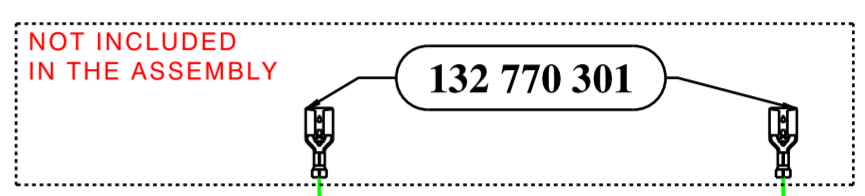


Recirculation Pump



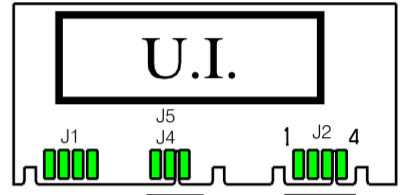
807 302 102

General Earth



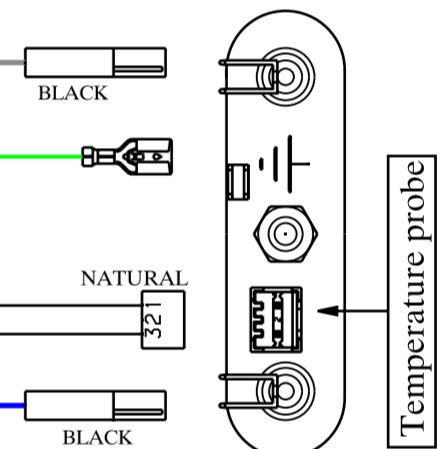
132 770 301

User Interface



132 769 812

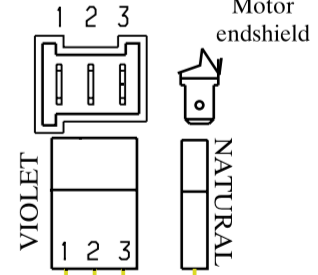
Heating elements



132 769 004

807 765 702

Cim/PM motor



807 302 702

807 298 201

