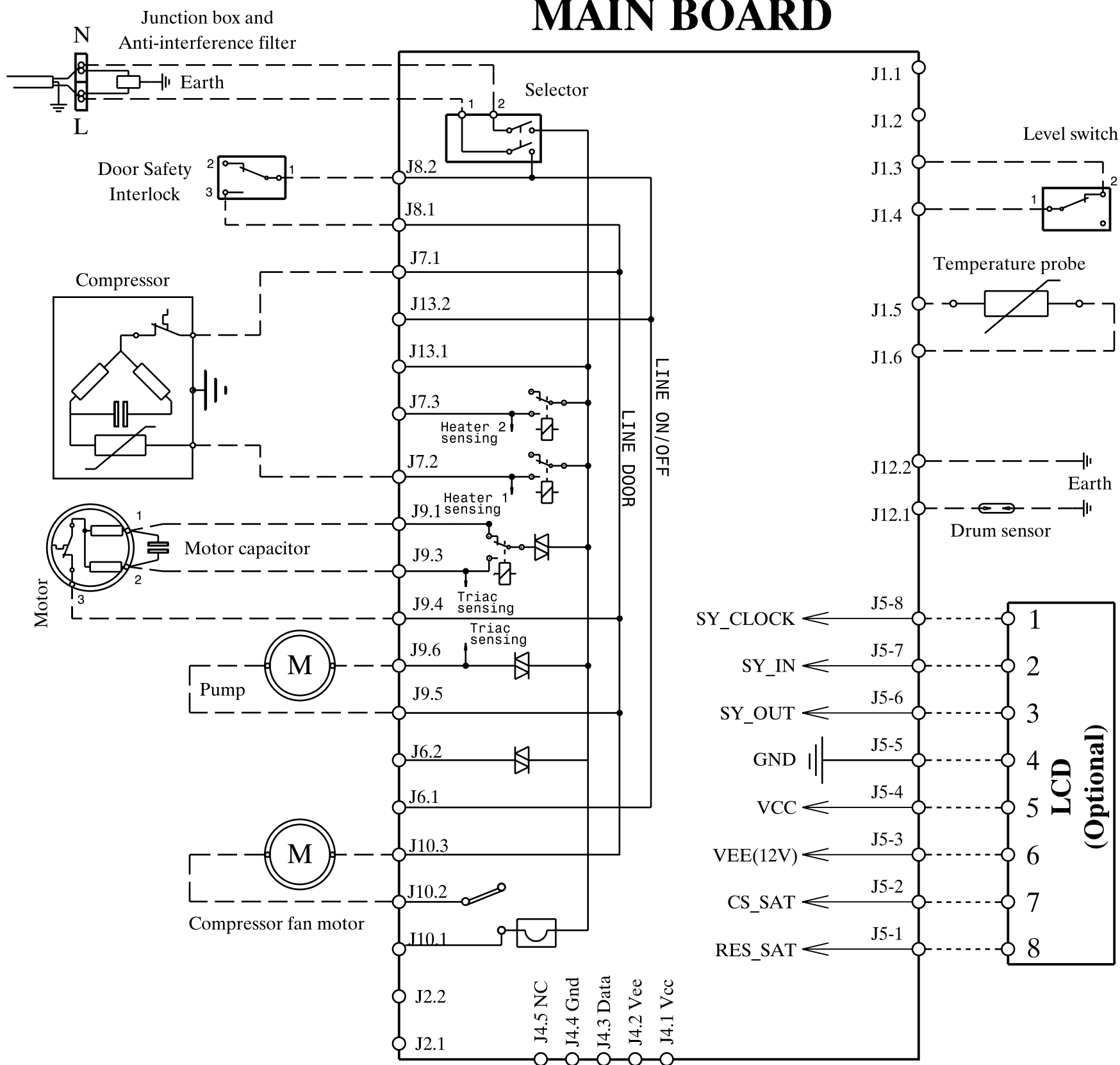


MAIN BOARD



**LCD
(Optional)**