

WIRING HARNESSSES

108 5432 0/

108 5439 0/

108 5424 0/

Wash valve

Prewash valve

Steam Valve

Hot valve

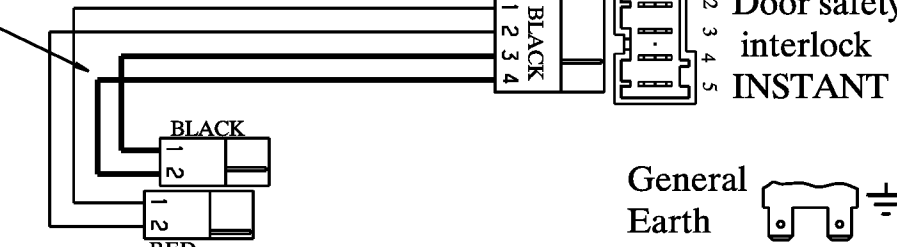
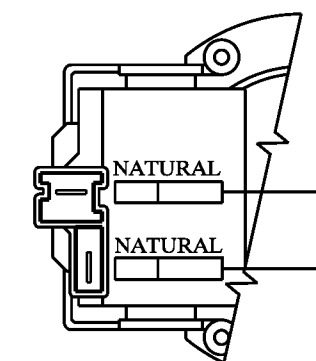
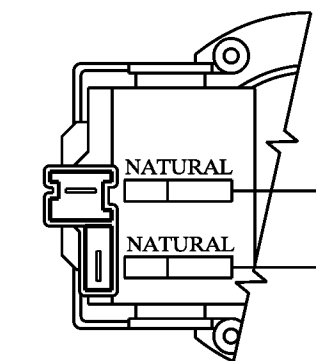
108 5425 0/

Pressure Switch

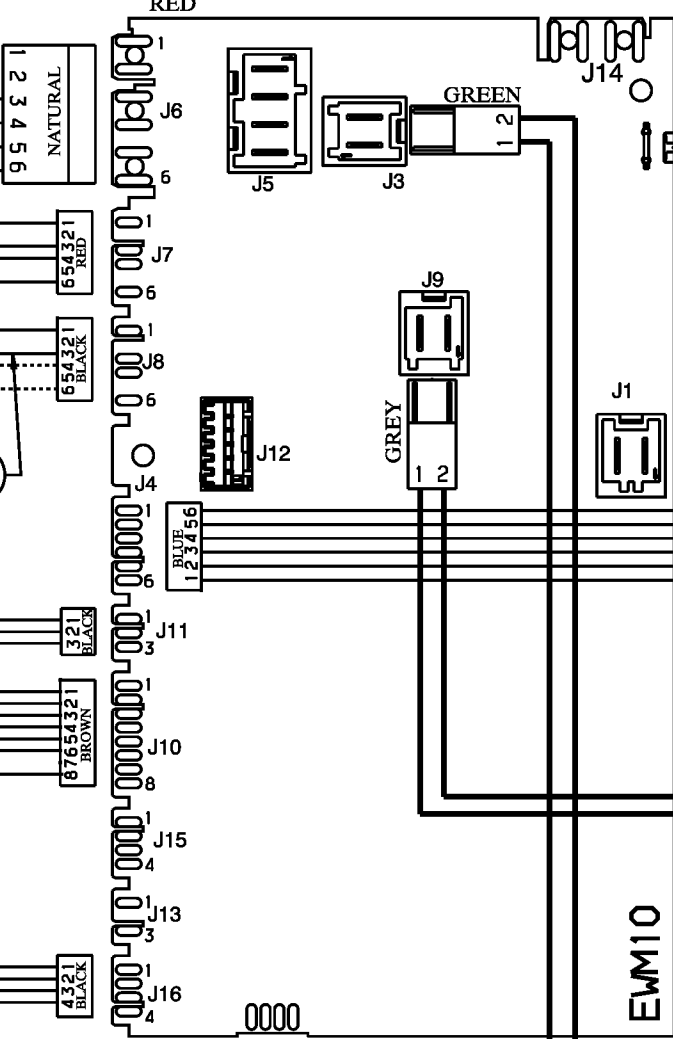
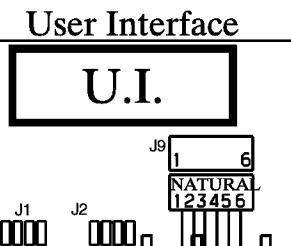
Flow sensor

New DSP

108 5429 0/



General Earth



108 5435 0/

108 7227 0/

108 5433 0/

108 5431 0/

108 5428 0/

NOT INCLUDED IN THE ASSEMBLY

108 5426 0/

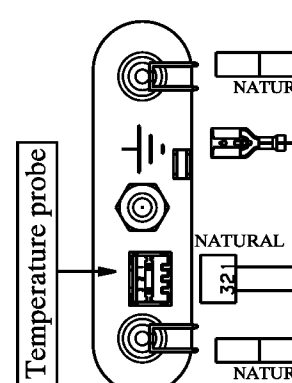
NOT INCLUDED IN THE ASSEMBLY

108 5427 0/

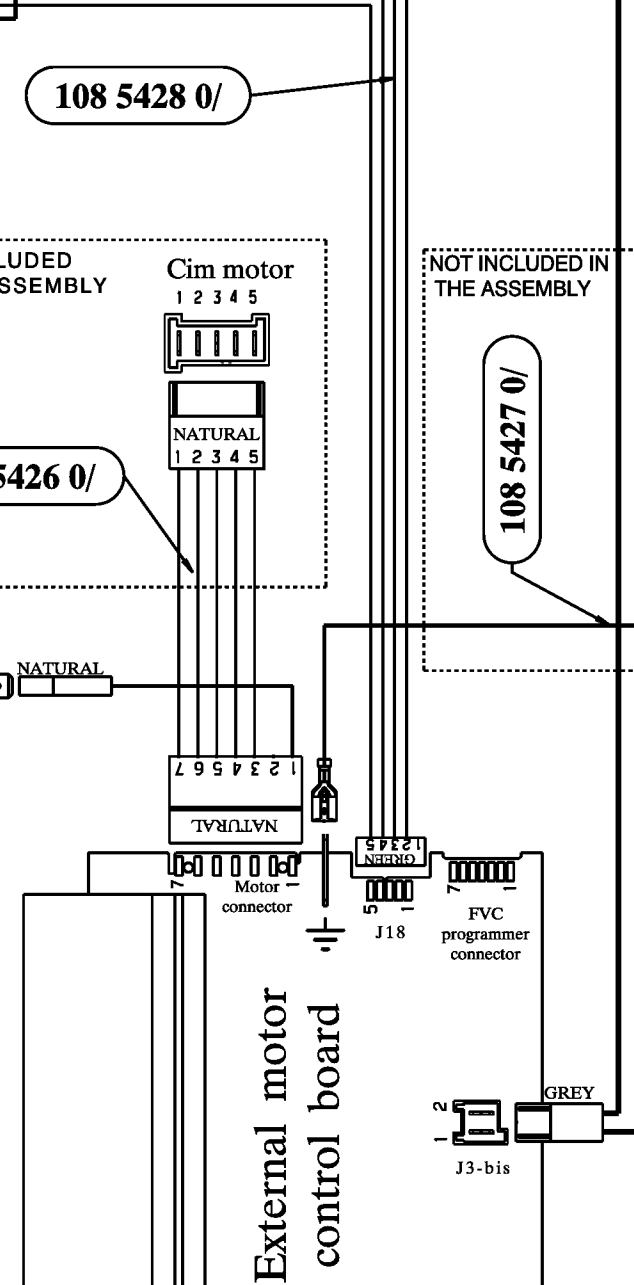


General earth

Heating elements



108 5423 0/



External motor control board