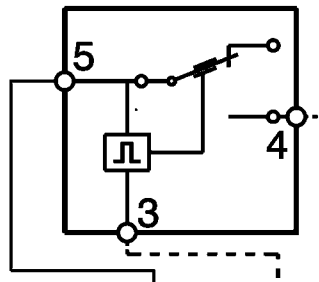
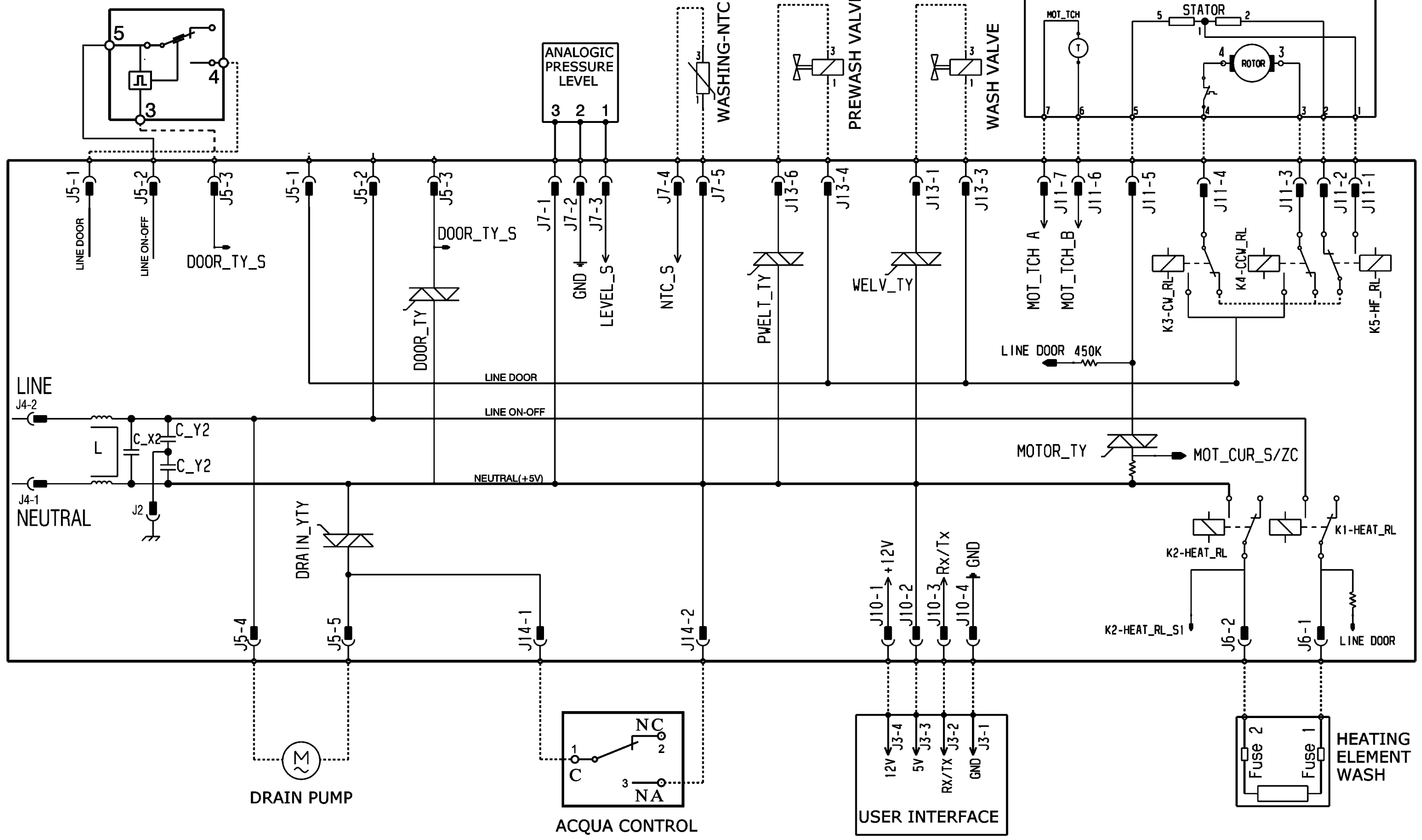
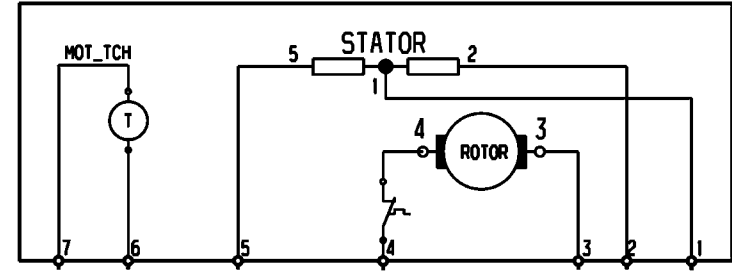


DOOR LOCK TRADITIONAL
-STANDARD VERSION-



UNIVERSAL MOTOR



ELECTRIC DIAGRAM -EWM 09-