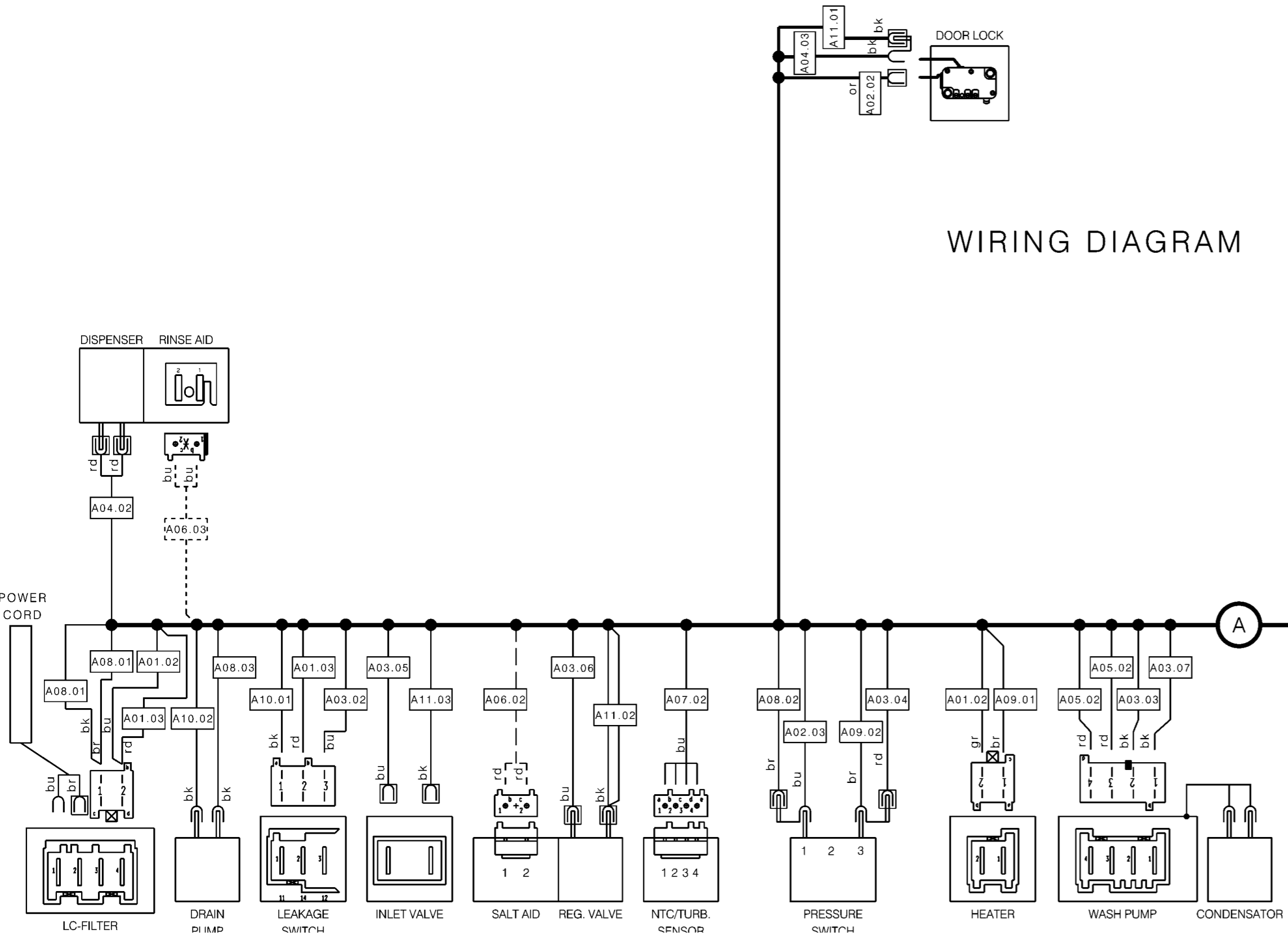
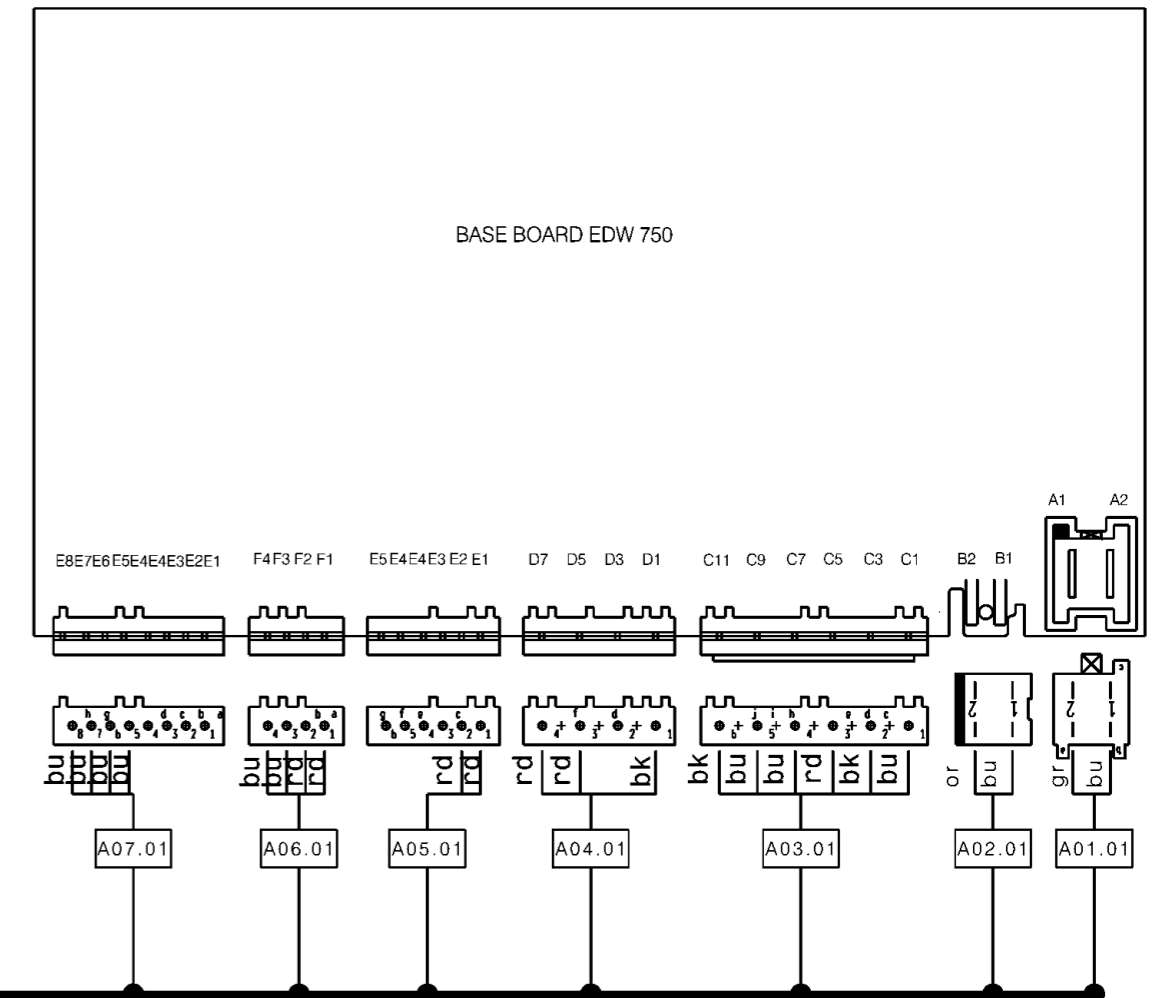


# WIRING DIAGRAM



WireHarness	Connection	WireEnd 01	WireEnd 02	WireEnd 03	WireEnd 04	WireEnd 05	WireEnd 06	WireEnd 07	WireEnd 08	WireEnd 09
A	01	BaseBoard	Filter	Leakage Switch	Heater					
A	01	BaseBoard	Drain Pump	Pressure switch						
A	02	BaseBoard	DoorLock	Pressure switch						
A	03	BaseBoard	LeakageSwitch	WashPump	Pressure switch	InletValve	RegValve	WashPump		
A	04	BaseBoard	Dispenser	DoorLock						
A	05	BaseBoard	Tacho							
A	06	BaseBoard	SaltAid	RinseAid						
A	07	BaseBoard	Ntc sensor							
A	08	Filter	Pressure switch	Drain Pump						
A	09	Heater	Pressure switch							
A	10	Leakage Switch	Drain Pump							
A	11	Door lock	RegValve	InletValve						

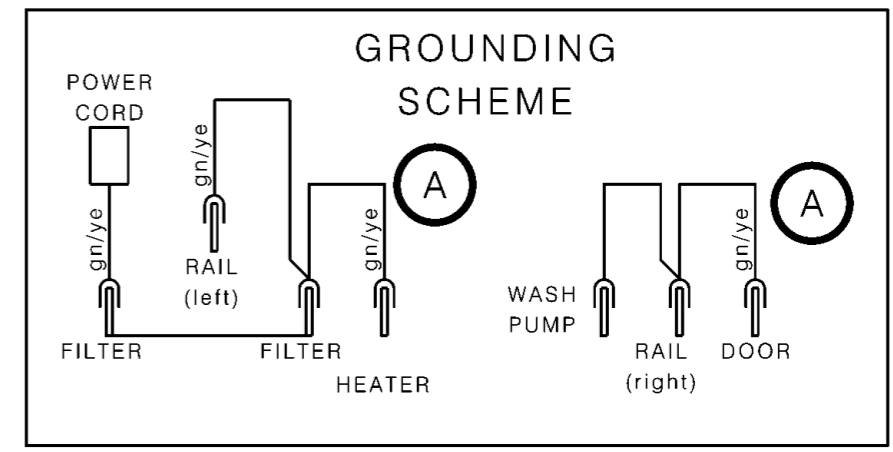
Wire-color

Code	Color
bk	black
br	brown
bu	blue
rd	red
or	orange
gr	grey
gn/ye	green/yellow

Line-style

..... = Component is currently not in use (reserved)

----- = Component is optional



Connections included in WireHarnesses