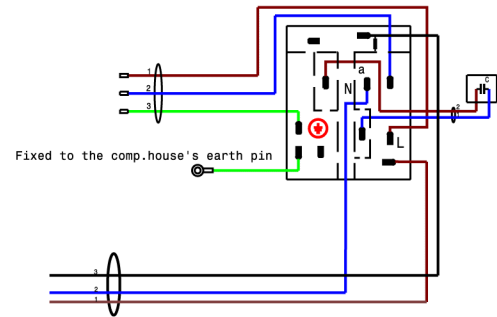


ESD... & N....-compressors



If type the capacitor-terminal of starter and protector is 4.8, the No.1. wire of capacitor (blue) need to connection to „a” point (on the multi-wayconnection of assy wire).