

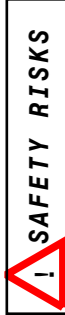
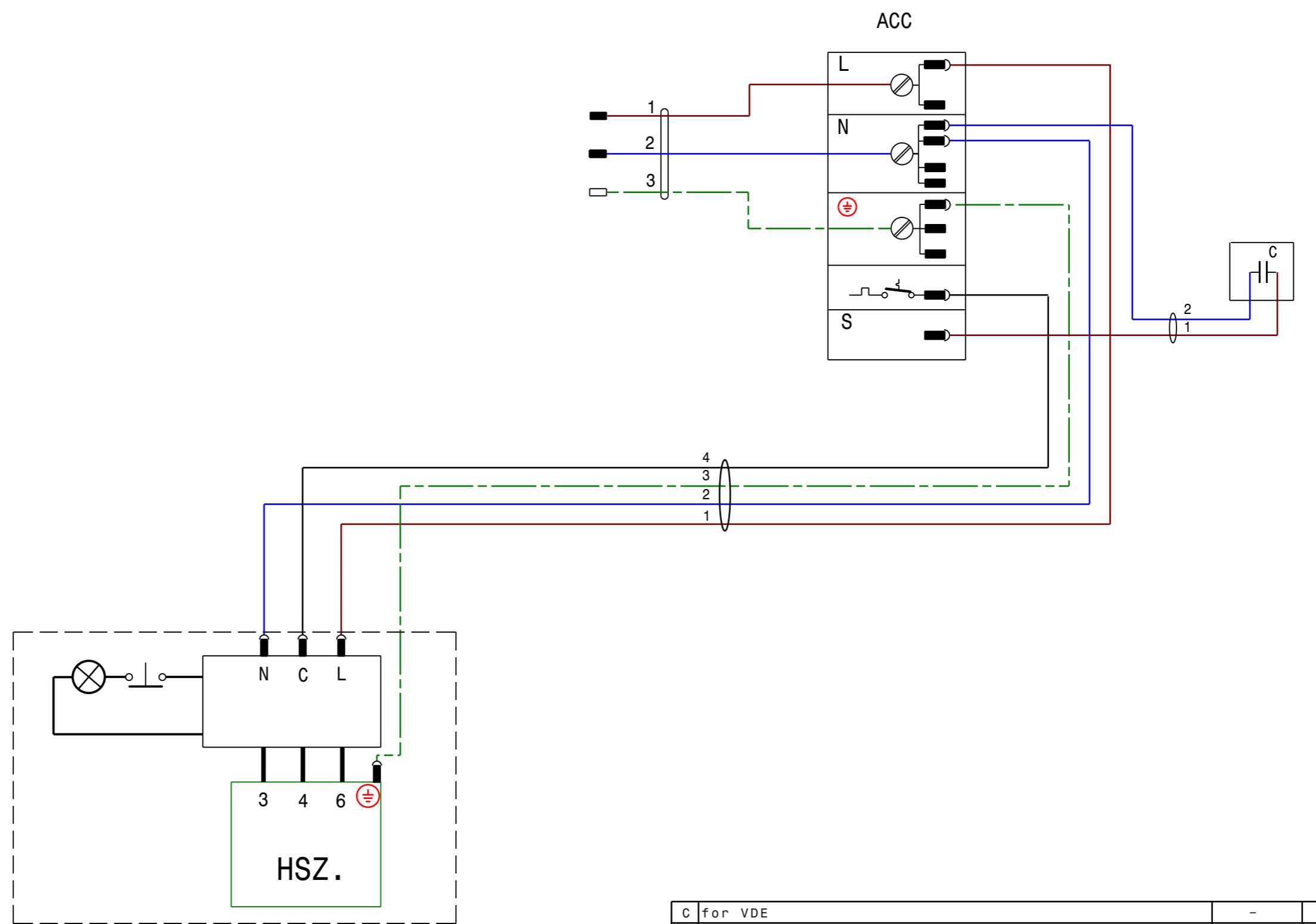
Items shown in this drawing must not contain substances that are banned according to Directive, 2002/95/EC, the RoHS Directive (Lead, Cadmium, Mercury, hexavalent Chromium, PBB and PBDE), or substances classified as "Banned" or "Restricted" according to the Electrolux Restricted Materials List.

Critical dimensions which must be under capability

This drawing contains confidential information and is the property of Electrolux, without whose permission it may not be copied, shown or handed to a third party or otherwise used and it is to be returned promptly upon request to the design owner, who is responsible for the drawing.

Megjegyzés/Notes:  
 A kondenzátor szükségességét lásd a vonatkozó darabjegyzékben.  
 Necessity of running capacitor see in BOM.

- Színjelölések:  
 Colours of wires:
- 1 Barna / Brown
  - 2 Kék / Blue
  - 3 Zöld-Sárga / Green-Yellow
  - 4 Fekete / Black
  - 5 Fehér / White
  - 6 Szürke / Gray



2063930-05	-	CT180	HVY 57 AA	Ⓒ
2063930-04	-	CT180	HTK70AA.02	
2063930-03	-	CT180	HTK70AA	
2063930-02	-	CT180	HQM80AA	
2063930-01	-	CT180	HQY75AA	
DRAWING No.	REPLACED No.	MODEL	COMPRESSOR	

C	for VDE	-	-	2006-02-13
B	MIDM00002998M, Kappa2 bevezet.	Zöldi M.	Károlyi	2005-06-27
A	MIDM, NEW DRAWING for VDE APPROVAL/ UJ RAJZ VDE-re	Zöldi M.	Károlyi	2005-03-09
POS.	MODIFICATIONS	SIGNATURE	REQUEST	DATE
MATERIAL	-	MODEL	CT180	SCALE
TREATMENT	-	DESIGN USERS	JY	EUROPEAN METHOD
WEIGHT	- Kg.	REPLACES	-	
DESIGN OWNER	DRNZöldi M.	DERIVED FROM	-	
JY	DATE 2005-03-09	SUPPLY SPECIFICATIONS	-	
TITLE		WIRING SCHEME		
NUMBER		KAPCSOLASI RAJZ		
2063930		REV	C	
		SHEET	1/1	



VARIANT NUMBER	REPLACED NUMBER	POS.	MODEL	DESIGN USERS	CHANGES FROM THE BASE NUMBER
-	-	-	-	-	-