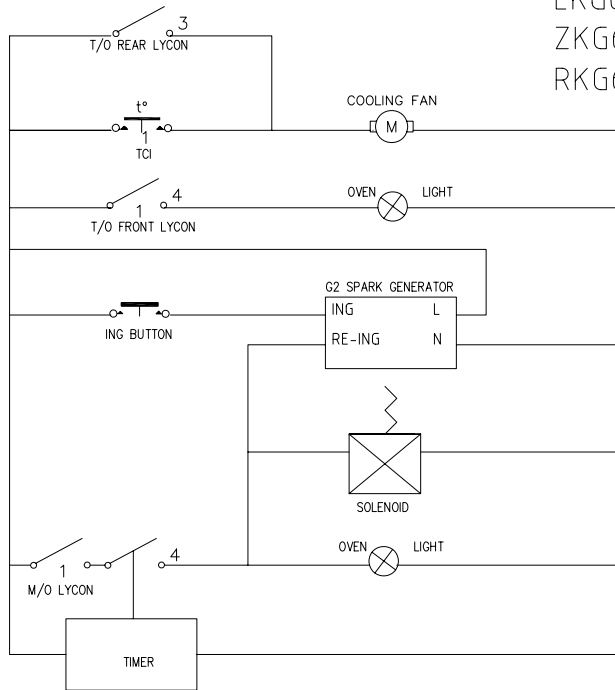




4 3 1 2 1

For use with models: EKG5546 ELC00, ELC02
EKG5547 ELC00, ELC02
EKG6046 ELC00, ELC02
EKG6047 ELC00, ELC02
EKG6049 ELC00, ELC02
ZKG6040,
RKG662100 (943204314)

This drawing contains confidential information and is the property of Electrolux, without whose permission it may not be copied, shown or handed to a third party or otherwise used and it is to be returned promptly upon request to the design owner, who is responsible for the drawing.



6+1 top and main oven lights (Re-ignition main oven)

E-UK11, E-UK8 , S-UK3

Double lycon operation

Rear lycon operating in anti-clockwise direction (OVEN)
front lycon operating in clockwise direction (Grill)

CHANGES FROM THE BASE NUMBER

DESIGN USERS

MODEL

POS.

REPLACED NUMBER

VARIANT NUMBER

E

D

C

B

A		DRAWING CREATED		K. BLACKETT		10/ 05/ 05	
POS.		MODIFICATIONS		SIGNATURE		REQUEST	
MATERIAL		MODEL		SCALE		EUROPEAN METHOD	
TREATMENT		WEIGHT		DESIGN USERS		REPLACES	
DESIGN OWNER		DRN		CHD		2D ONLY	
DATE		APPR		CONCEPT 3D		EXACT 3D	
TITLE		E-UK11, E-UK8 , S-UK3		SCHEMATIC DIAGRAM		A	
NUMBER		349 1095 01		REV		SHEET	

Items shown in this drawing must not contain substances that are banned according to Directive, 2002/95/EC, the RoHS Directive (Lead, Cadmium, Mercury, hexavalent Chromium, PBB and PBDE), or substances classified as "Banned" or "Restricted" according to the Electrolux Restricted Materials List.

GENERAL TOLERANCES
ANGLES
LENGTHS AND DIAMETERS

[DF03]

4 3 1 2 1

