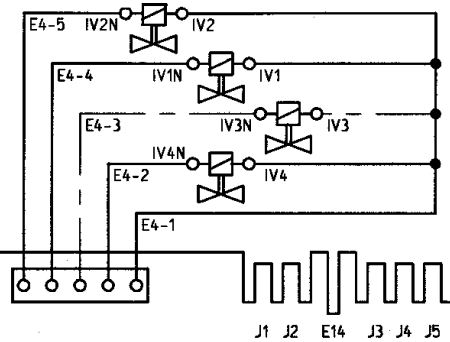
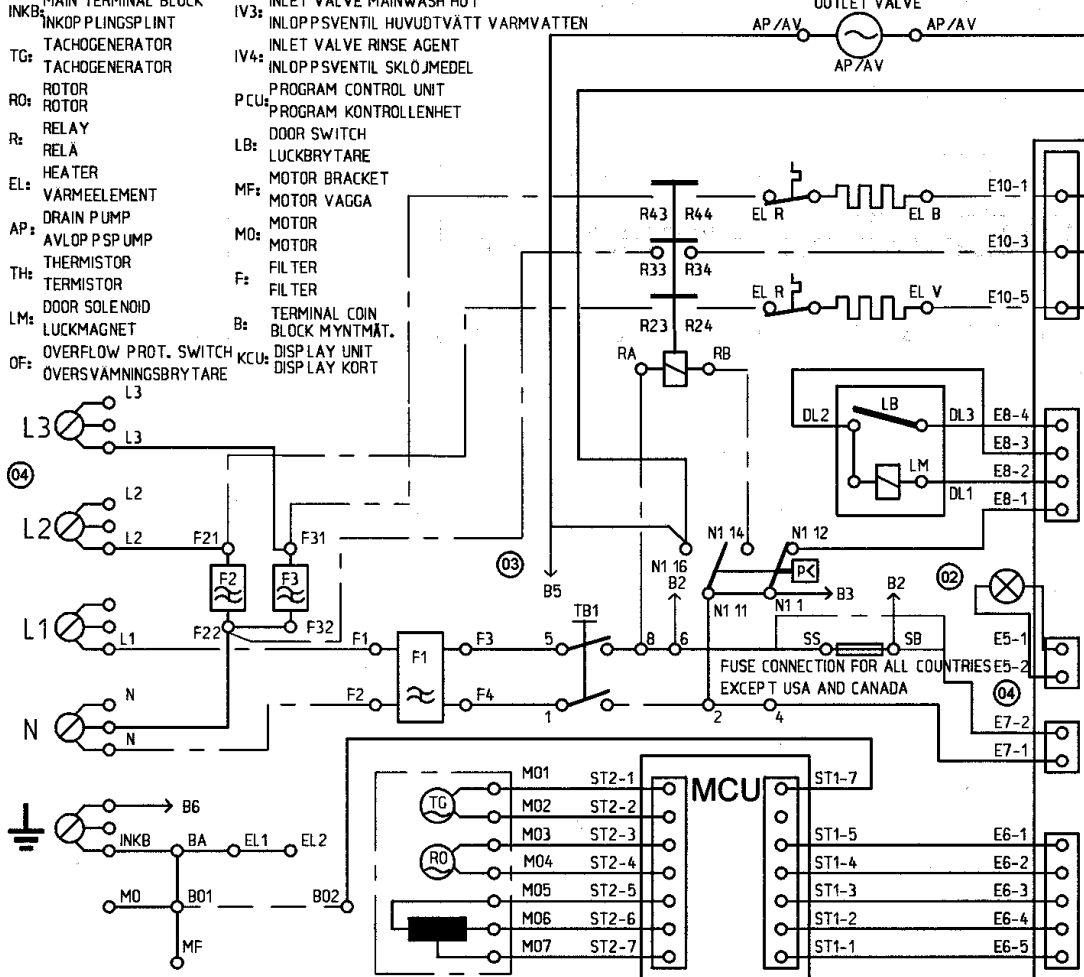


- BA: TUB
- B0: BALJA
- B0: BOTTOM
- B0: BOTTEN
- INKB: MAIN TERMINAL BLOCK
- INKB: INKOPPLINGSPLINT
- TG: TACHOGENERATOR
- TG: TACHOGENERATOR
- RO: ROTOR
- RO: ROTOR
- R: RELAY
- R: RELÄ
- EL: HEATER
- EL: VÄRMEELEMENT
- AP: DRAIN PUMP
- AP: AVLOPPSPUMP
- TH: THERMISTOR
- TH: TERMISTOR
- LM: DOOR SOLENOID
- LM: LUCKMAGNET
- OF: OVERFLOW PROT. SWITCH
- OF: ÖVERSÄMMNINGSBRYTARE
- IV1: INLET VALVE PREWASH AND RINSE
- IV1: INLOPPSVENTIL FÖRTVÄTT OCH SKJÖLJ
- IV2: INLET VALVE MAINWASH COLD
- IV2: INLOPPSVENTIL HUVUDTVÄTT
- IV3: INLET VALVE MAINWASH HOT
- IV3: INLOPPSVENTIL HUVUDTVÄTT VÄRMVATTEN
- IV4: INLET VALVE RINSE AGENT
- IV4: INLOPPSVENTIL SKJÖLJMEDEL
- PCU: PROGRAM CONTROL UNIT
- PCU: PROGRAM KONTROLLENHET
- LB: DOOR SWITCH
- LB: LUCKBRYTARE
- MF: MOTOR BRACKET
- MF: MOTOR VAGGA
- M0: MOTOR
- M0: MOTOR
- F: FILTER
- F: FILTER
- B: TERMINAL COIN BLOCK MYNTMÄT.
- KCU: DISPLAY UNIT
- KCU: DISPLAY KORT

- INTERNAL CONNECTION
- INTERN KOPPLING
- ALTERNATIVE WIRING
- ALTERNATIV KOPPLING



| JUMPER | SETTING           | ON/CLOSED | OFF/CUT   |
|--------|-------------------|-----------|-----------|
| J1     | PROGRAM           | SEE TABLE | SEE TABLE |
| J2     | PROGRAM           | SEE TABLE | SEE TABLE |
| J3     | DRAIN PUMP        | DISABLED  | ENABLED   |
| J4     | FOAMING DETECTION | DISABLED  | ENABLED   |
| J5     | SHOW TEMPERATURE  | DISABLED  | ENABLED   |

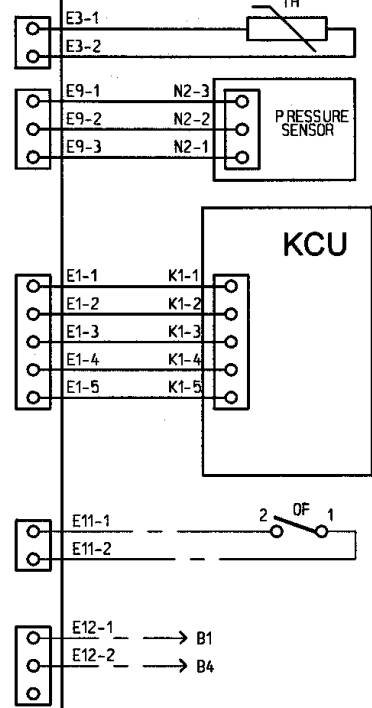
| JUMPER | J2 | PROGRAM    | ALTERNATIVE |
|--------|----|------------|-------------|
| 1      | 1  | EUROPA     |             |
| 1      | 0  | MOP        |             |
| 0      | 1  | MEDICAL    |             |
| 0      | 0  | US VERSION |             |

1 CONNECTION IS CLOSED  
0 CONNECTION IS CUT

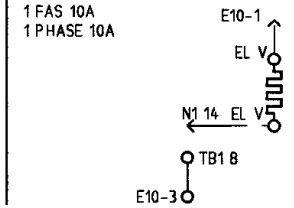
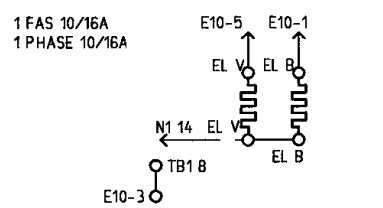
### PCU

| TEST PROGRAM           | FUNCTION LEVEL         |
|------------------------|------------------------|
| PRESS 5x SWITCH P1(S1) | TOGGLE WITH ENTER (S8) |
| SWITCH                 | 1 2                    |
| P2 (S2)                | V1 DRAIN               |
| P3 (S3)                | V2 MOTOR N             |
| P4 (S4)                | V3 MOTOR G             |
| P5 (S5)                | V4 MOTOR SPIN TYPE A   |
| P6 (S6)                | DOOR ---               |
| P7 (S7)                | HEATER ---             |

| SPECIAL SELECTIONS  |                       |         |         |         |
|---------------------|-----------------------|---------|---------|---------|
| PRESS 5x ENTER (S8) | SELECTION             | P6 (S6) | P7 (S7) | P8 (S8) |
| + 5x P X (SX)       | LANGUAGE              | -       | +       | ---     |
| P2 (S2)             | CELSIUS/FAHRENHEIT    | C       | F       | ---     |
| P3 (S3)             | DELAYED START         | 0 SEC   | 3 SEC   | ---     |
| P4 (S4)             | INLET VALVES          | COLD    | HOT     | MIXED   |
| P5 (S5)             | SET SPINNING TIME MOP | -       | +       | ---     |
| P6 (S6)             | SET PROGRAM TEMP.     | ---     | +       | ---     |



|                      |  |                          |  |  |  |
|----------------------|--|--------------------------|--|--|--|
| POWER ON DOOR CLOSED | E2:1-E2:2 230 Vac DRAIN PUMP/OUTLET VALVE ON | E4:1-E4:5 230 Vac IV2 ON | E7:1-E7:2 230 Vac                        | E9:1-E9:2 0,5 Vdc AT ZERO WATER PRESSURE     | THE ABOVE REQUIRE THE LEVEL SWITCH IN POS. N1 14 |
| E1:1-E1:2 13 Vdc     | E3:1-E3:2 5 Vdc (THERMISTOR DISCONNECTED)    | E5:1-E5:2 230 Vac        | E8:1-E8:4 0 V DOOR OPEN                  | E10:1-E10:3 230 Vac HEATER OFF 0 V HEATER ON | E11:1-E11:2 5 Vdc (OVERFILL 0 Vdc)               |
| E1:3 DATA IN         | E4:1-E4:2 230 Vac IV4 ON                     | E6:1-E6:2 230 Vac        | E8:1-E8:4 230 Vac DOOR CLOSED            | E10:5-E10:3 230 Vac HEATER OFF 0 V HEATER ON | E12:1-E12:2 15 Vdc                               |
| E1:4 CLOCK           | E4:1-E4:3 230 Vac IV3 ON                     | E6:3-E6:5 5 Vdc          | E8:2-E8:3 230 Vac DOOR SOLENOID ON 10 mS |  |  |
| E1:5 DATA OUT        | E4:1-E4:4 230 Vac IV1 ON                     | E6:4 DATA SERIELL        | E9:1-E9:3 5 Vdc                          |  |  |



N949080704

