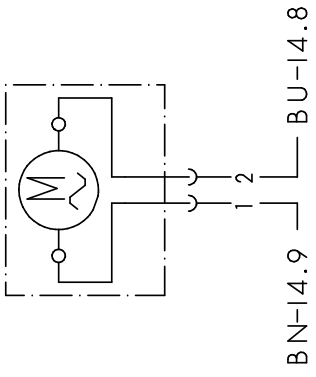
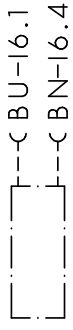


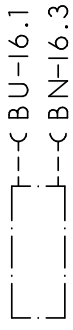
m3 air circulation blower



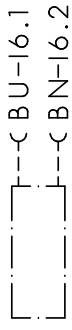
r1 temperature sensor
evaporator



r2 temperature sensor
cooler compartment



r3 temperature sensor
ambient



5700 002945

03 / 02

GB

S0-50/1519