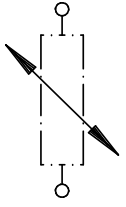


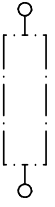
a1 main switch



d1 PTC resistor



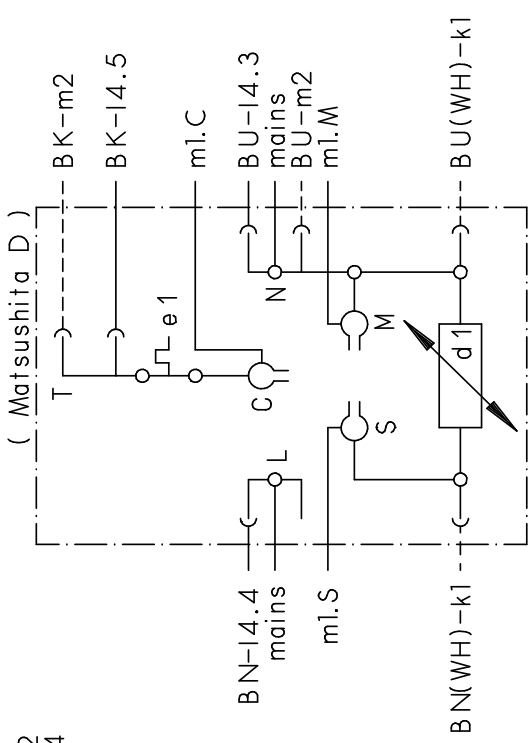
e1 protection switch



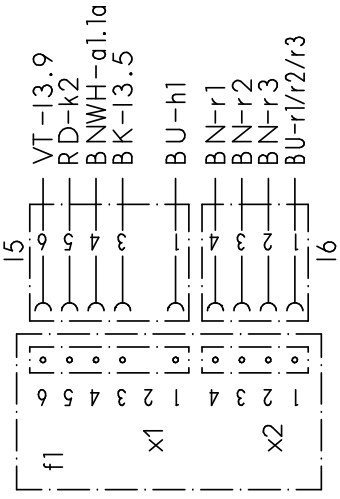
e2 switch " lamp "



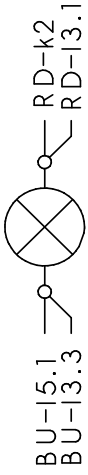
l1 terminal block



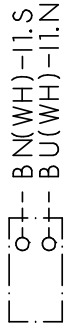
f1 electronic control



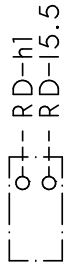
h1 lamp



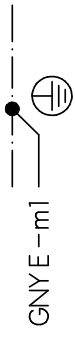
k1 motor operating capacitor



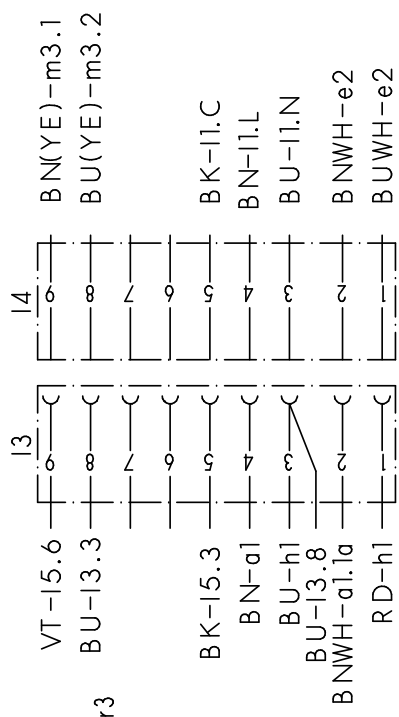
k2 capacitor



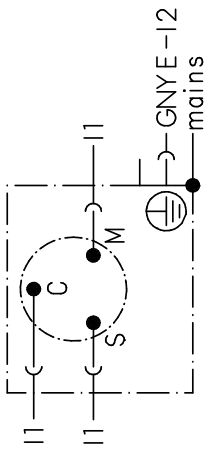
l2 bearing rail



l3 socket housing + l4 pin housing



m1 compressor



m2 condenser motor



5700 002945

03 / 02

GB

S0-50/1518