

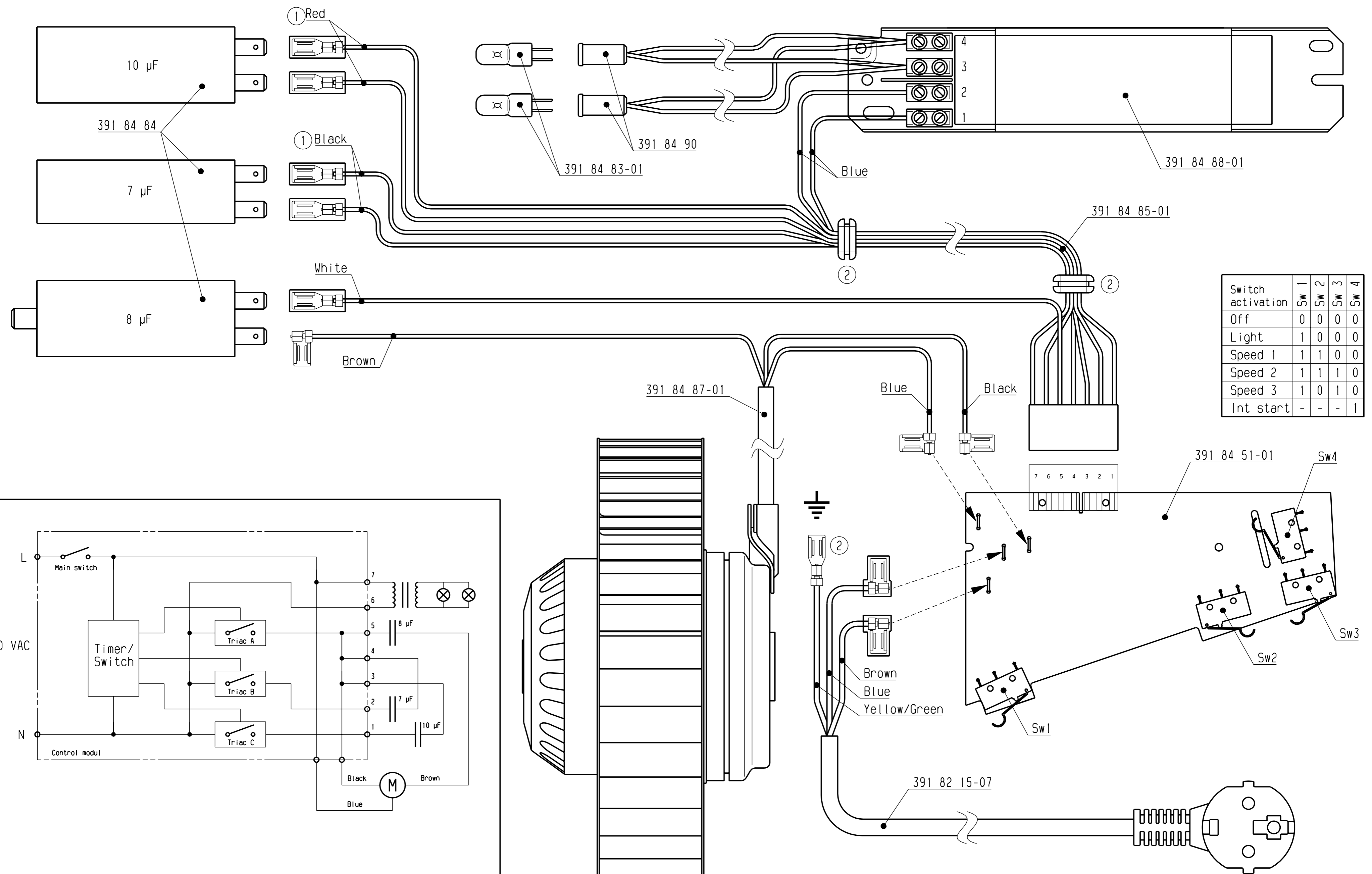
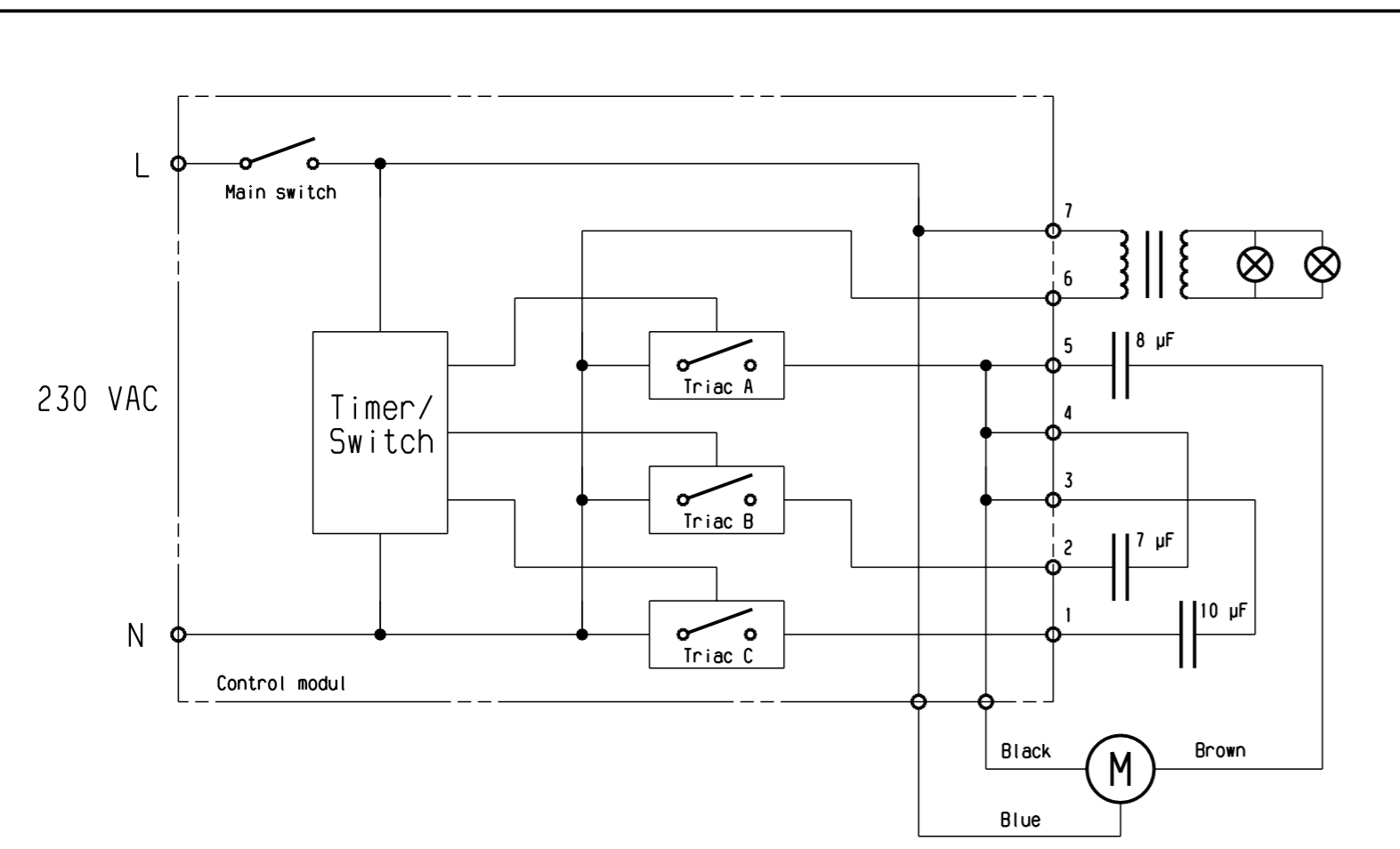
This drawing contains confidential information and is the property of Electrolux. It may not be copied, shown or handed to a third party or otherwise used and it is to be returned promptly upon request to the person from whom it was obtained. The person who is responsible for the drawing.

[2] Critical dimensions which must be under capability SAFETY REQUIREMENT Visible surfaces. Draft angles (not shown).

GENERAL TOLERANCES ANGLES LENGTHS AND DIAMETERS THEORETICAL FLAT AREA DEVELOPED FLAT AREA

Triac activation	Triac A	Triac B	Triac C
Speed 1	0	1	0
Speed 2	0	0	1
Speed 3	0	1	1
Intensive	1	0	0

Simplified schematic diagram



Switch activation	Sw 1	Sw 2	Sw 3	Sw 4
Off	0	0	0	0
Light	1	0	0	0
Speed 1	1	1	0	0
Speed 2	1	1	1	0
Speed 3	1	0	1	0
Int start	-	-	-	1

391 84 67-01 Variant No.

MATERIAL	DESIGN OWNERS	SCALE	1:1	EUROPEAN METHOD
TREATMENT	DRN	WEIGHT		REPLACES No.
DESIGN OWNER	MO	DATE	00-09-19	DERIVED FROM No.
CHD	FA	APPR		SUPPLY SPECIFICATIONS No.
TITLE				Wiring diagram
Kopplungsschema				
NUMBER				391 84 67 - REV 02

