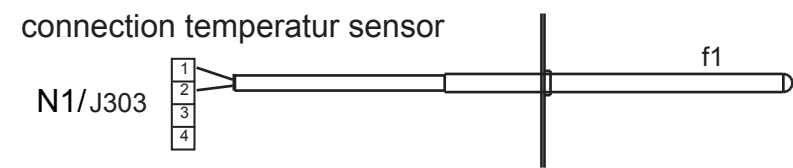
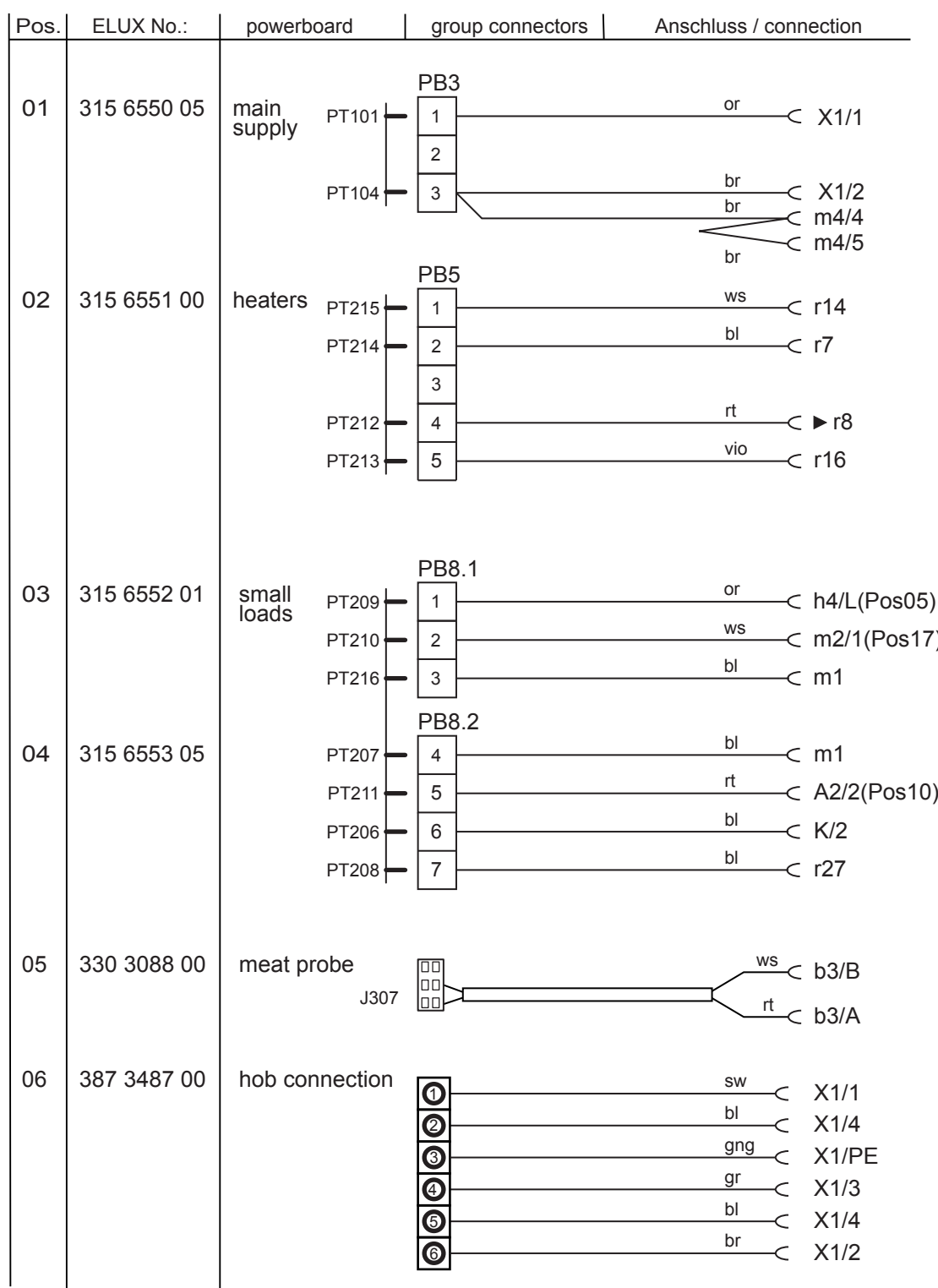


This drawing contains confidential information and is the property of Electrolux, without whose permission it may not be copied, shown or handed to a third party or otherwise used and it is to be returned promptly upon request to the design owner, who is responsible for the drawing.

Items shown in this drawing must not contain substances that are banned according to Directive, 2002/95/EC, the RoHS Directive (Lead, Cadmium, Mercury, hexavalent Chromium, PBB and PBDE), or substances classified as "Banned" or "Restricted" according to the Electrolux Restricted Materials List.

GENERAL TOLERANCES
ANGLES
LENGTHS AND DIAMETERS

Kabelbäume / cable harnesses



Einzellitzen / single wires

Pos.	Kontaktfolge / contact	Auflösung / structure explanation	Farbe / colour	min. Ø
01	A1/2 - PT202	194-450-194	.22 or	0,75
02	PT218 - f1/2	194-450-194	.22 or	0,75
03	*f2 - PT203	▶194-600-194	.23 sw	1,0
04	*f2 - r14 - r7 - r16 - *r8	▶194-200-195-80-195-180-195-400-▶194	.19 sw-sw-sw-sw	1,0-1,0-1,0-1,0
05	h4/L - h4.1/L	184-1100-194	.04 bl	0,75
06	h4/N - h4.1/N	184-1100-194	.04 bl	0,75
07	h4/PE - PE/1b - PE(r7+r14)	194-120-195 - 250 - 194	.01 gng	1,0-1,0
08	PE/1b - h4.1/PE	194-1130-184	.37 gng	1,0
09	A2/1 - K/A2	184-200-193	.62 ws	0,75
10	A2/2 - K/A1	184-200-193	.62 ws	0,75
11	K/3 - m2/3	193-230-194	.63 gr	0,75
12	K/1 - m2/2	193-250-194	.64 rt	0,75
13	r26 - h9	▶194-120-▶194	.28 sw	0,75
14	m4/7 - A1/1 - A2/1(Pos09)	162-150-195-510-194	.29 bl-bl	0,75-0,75
15	PE/1b - Montageplatte	194-850-194	.39 gng	1,0
16	r27 - h4/N(Pos06)	194-850-194	.20 bl	0,75
17	m2/1 - m4/1	184-350-▶194	.31 bl	0,75
18				
19				
20				
21				
22	PE/1b - R5	cable harness 315 3544 93	gng	1,0
23	f3/120°C - r26 - r7	cable harness 315 3544 93	gr	0,75
24	r5 - f3/170°C	cable harness 315 3544 93	vi	0,75
25	f1/1 - f3/170°C	cable harness 315 3544 93	or	0,75
26	r5 - f3/120°C - h9	cable harness 315 3544 93	sw	0,75

Bezeichnung	designation	Elux Sachnummer / Elux part no.
* ▶ Isolierhülse	insulation housing	
Liste Anschlagteile	list of crimp contacts	330 1766 00
Betriebsmittelliste	list of components	330 2222 00
Liste Einzellitzen	list of single wires	315 6867 00
Leitungsmaterial	material of wire	330 5273 00
Stromlaufplan		387 3488 00

A First edition		Renner	DGT 40677	2006-05-31
POS.	MODIFICATIONS		SIGNATURE	REQUEST
MATERIAL	MODEL	SCALE		EUROPEAN METHOD
TREATMENT	WEIGHT	REPLACES		
DESIGN OWNER	CHD Renner	DERIVED FROM		
DGT	DATE 2006-05-31	APPR Renner	SUPPLY SPECIFICATIONS	
TITLE		wiring EBK/EBE 400V Steam P EU		
		NUMBER	REV	
		387 3489	A	
			1/1	