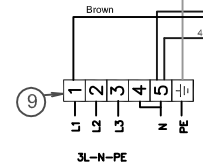
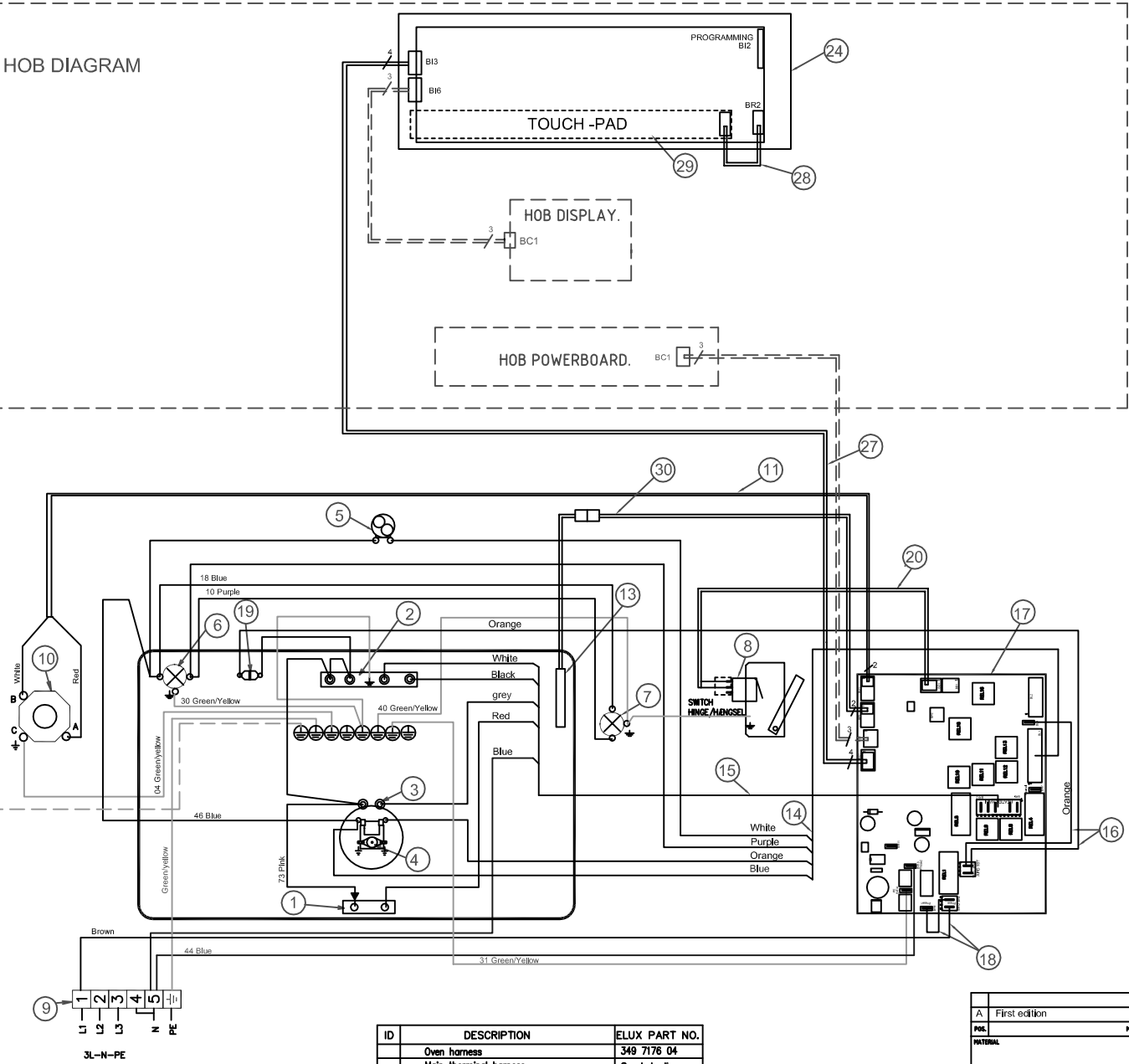


The drawing contains confidential information and it may not be copied, shown or handed to a third party or otherwise used and it is to be returned promptly to the design owner, who is responsible for the drawing.

Items shown in this drawing must not contain substances listed in Annex II of the RoHS Directive (Lead, Cadmium, Mercury, Hexavalent Chromium, PBB and PBDE), or substances classified as Restricted Hazardous List, according to The Electrolux Restricted Hazardous List.

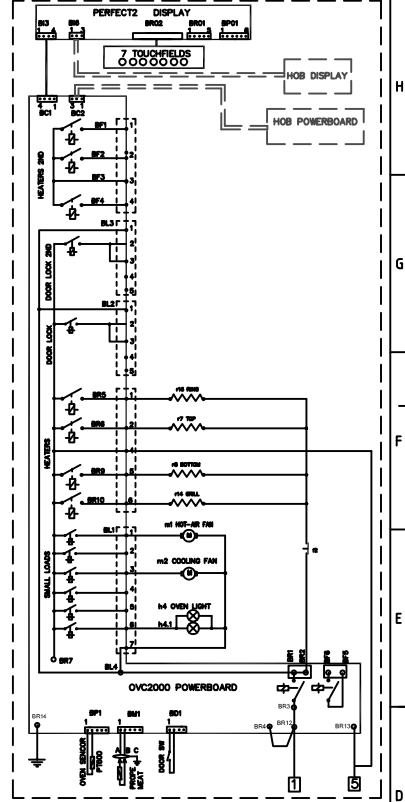
Green/Yellow earth connection from hob

SEE HOB DIAGRAM



ID	DESCRIPTION	ELUX PART NO.
	Oven harness	349 7178 04
	Main terminal harness	See hob diagram
	List of single wires	349 7215 02
	Component list	330 2222
	INSULATION HOUSING	

349 7272-02	REPLACED NUMBER	POS.	MODEL	DESIGN USERS	CHANGES FROM THE BASE NUMBER
VARIANT NUMBER					



Pos	No	Components
30	1	Wireset for oven sensor
29	1	Touch board
28	1	RGBlen cable
27	1	Wireset Maca bus 4 pin
26	-	
25	-	
24	1	Display PF2
23	-	
22	-	
21	-	
20	1	Wire set Light switch
19	1	Heat protector
18	1	Wireset_APD 1st IN
17	1	OVC 2000 power board
16	1	Wire set APD 1st OUT
15	1	Wire set heater
14	1	Wire set small loads
13	1	Oven PT500 sensor
12	-	
11	1	Wire set meat probe
10	1	Jack socket meat probe
9	1	Main terminal
8	1	Microswitch fan / light
7	1	Oven lamp site
6	1	Oven lamp back
5	1	Cooling fan
4	1	Fan motor hot air
3	1	Heating elem. hot air 1550W
2	1	Heating elem. top 1000/1900W
1	1	Heating elem. lower 1000W

A First edition		hh	DATE	2006-06-08
POS.	MODIFICATION	SIGNATURE	REQUEST	DATE
MATERIAL	WEIGHT	DESIGN USERS	REPLACES	EUROPEAN METHOD
TREATMENT	3D ONLY	DESIGN USERS	DERIVED FROM	
DESIGN OWNER	DATE 2006-06-08	APP	CHECKED BY	SUPPLY SPECIFICATIONS
DATE 2006-06-08		APP	EXACT ID	TITLE
Electrolux				Wiring oven assembly
349 7272 02			REV	A
SHEET			1	

SIR/FLINS