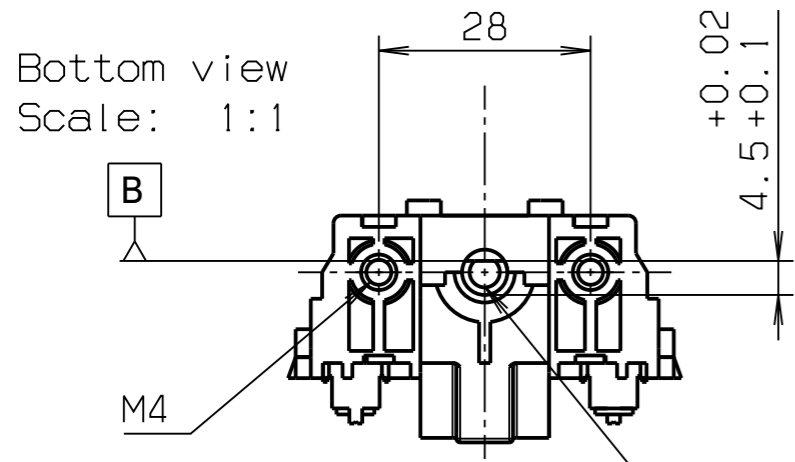


This drawing contains confidential information and is the property of Electrolux, without whose permission it may not be copied, shown or handed to a third party or otherwise used and it is to be returned promptly upon request to the design owner, who is responsible for the drawing.

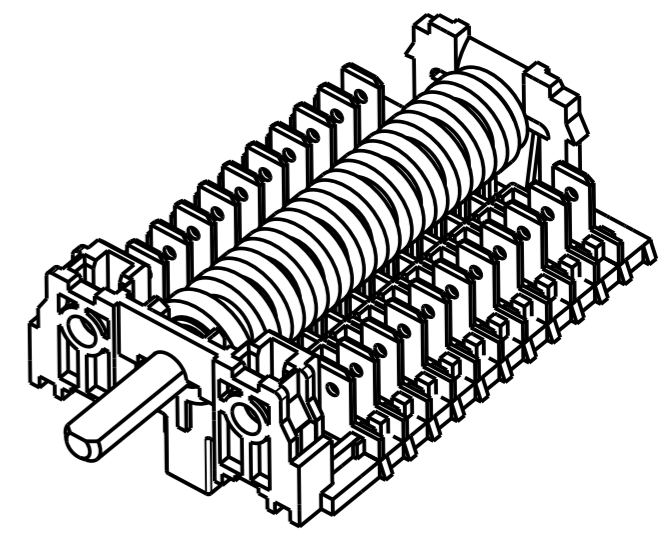
Items shown in this drawing must not contain substances that are banned according to Directive, 2002/95/EC, the RoHS Directive (Lead, Cadmium, Mercury, hexavalent Chromium, PBB and PBDE), or substances classified as "Banned" or "Restricted" according to the Electrolux Restricted Materials List.



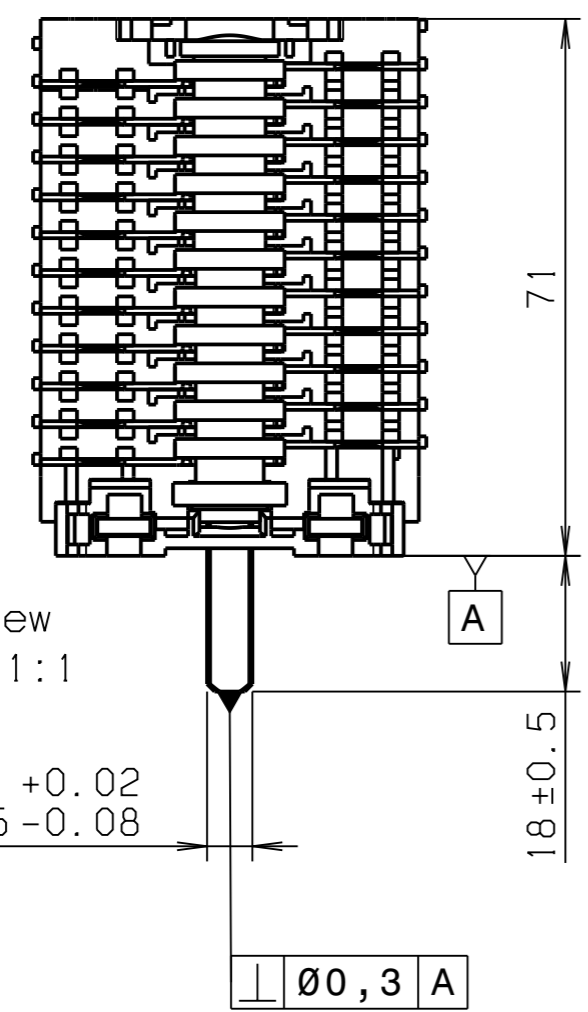
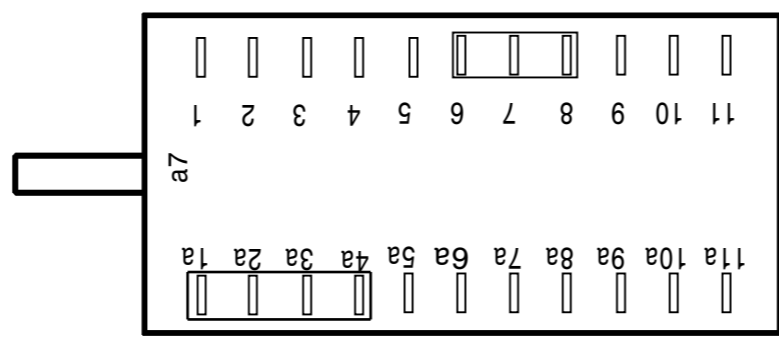
Bottom view  
Scale: 1:1

Shaft in 0 position  
Angle deviation Max +/-2 for plane B in relation to CI for 2 hole M4

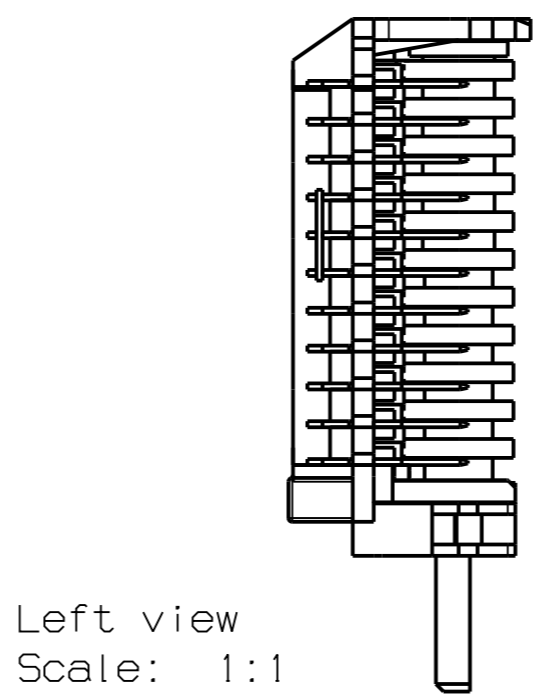
|                | 1a   | 2a  | 3a    | 4a     | 5a  | 6a    | 7a     | 8a      | 9a         | 10a        | 11a        |
|----------------|------|-----|-------|--------|-----|-------|--------|---------|------------|------------|------------|
| 0 Off          |      |     |       |        |     |       |        |         | X          | X          | X          |
| 1 Hot-Air 3D   | X    | X   |       | X      | X   | X     | X      | X       |            |            |            |
| 2 Top + Bottom |      | X   |       | X      |     | X     | X      | X       | X          | X          |            |
| 3 Pizza        | X    |     |       | X      | X   | X     | X      | X       |            |            |            |
| 4 Hot-Air 2D   | X    |     |       |        | X   | X     | X      | X       | X          | X          |            |
| 5 Grill + fan  |      | X   | X     |        | X   | X     | X      | X       |            |            |            |
| 6 Grill        |      | X   | X     |        |     | X     | X      | X       |            |            |            |
| 7 Defrost      |      |     |       |        | X   | X     | X      |         | X          | X          | X          |
|                | 1    | 2   | 3     | 4      | 5   | 6     | 7      | 8       | 9          | 10         | 11         |
|                | ring | top | grill | bottom | fan | light | ctl.lp | oven on | Power man. | Power man. | socket out |



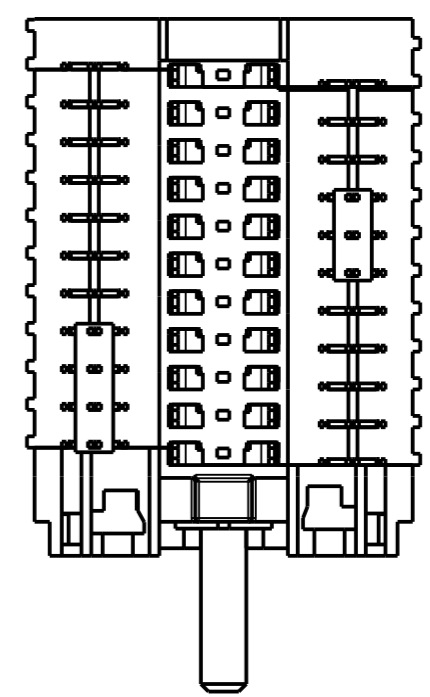
Isometric view  
Scale: 1:1



Front view  
Scale: 1:1



Left view  
Scale: 1:1



Rear view  
Scale: 1:1

T-marked: T150  
Current/Voltage: 16(6)A/250V  
10(2)A/400V  
Operating torque: Min 20Ncm  
Max 45Ncm  
Type designation: 11HE/XXX

|               |      |            |              |                   |                       |                 |
|---------------|------|------------|--------------|-------------------|-----------------------|-----------------|
| A New release |      |            |              | DKKRG             | -                     | 2006-05-02      |
| MODIFICATIONS |      |            |              | SIGNATURE         | REQUEST               | DATE            |
| MATERIAL      |      |            | MODEL        |                   | SCALE                 | EUROPEAN METHOD |
| TREATMENT     |      |            | DESIGN USERS |                   | REPLACES              |                 |
| WEIGHT        |      |            | DERIVED FROM |                   | SUPPLY SPECIFICATIONS |                 |
| DESIGN OWNER  | DRN  | DKKRG      | CHD          | -                 | 2D ONLY               | -               |
|               | DATE | 2006/03/02 | APPR         | -                 | CONCEPT 3D            | -               |
|               |      |            |              |                   | EXACT 3D              | X               |
| TITLE         |      |            |              | oven switch 8-POS |                       |                 |
|               |      |            |              | ovn switch 8- POS |                       |                 |
| NUMBER        |      |            |              | 349 7204          |                       |                 |
|               |      |            |              | REV               | A                     |                 |
|               |      |            |              | SHEET             | 1/1                   |                 |



|                |                 |      |       |              |                              |
|----------------|-----------------|------|-------|--------------|------------------------------|
| 349 7204 01    | -               | -    | -     | -            | Oven switch 8-pos            |
| VARIANT NUMBER | REPLACED NUMBER | POS. | MODEL | DESIGN USERS | CHANGES FROM THE BASE NUMBER |