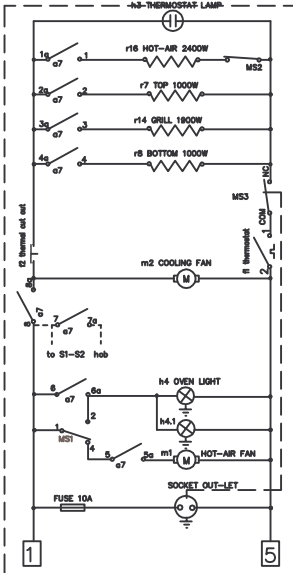
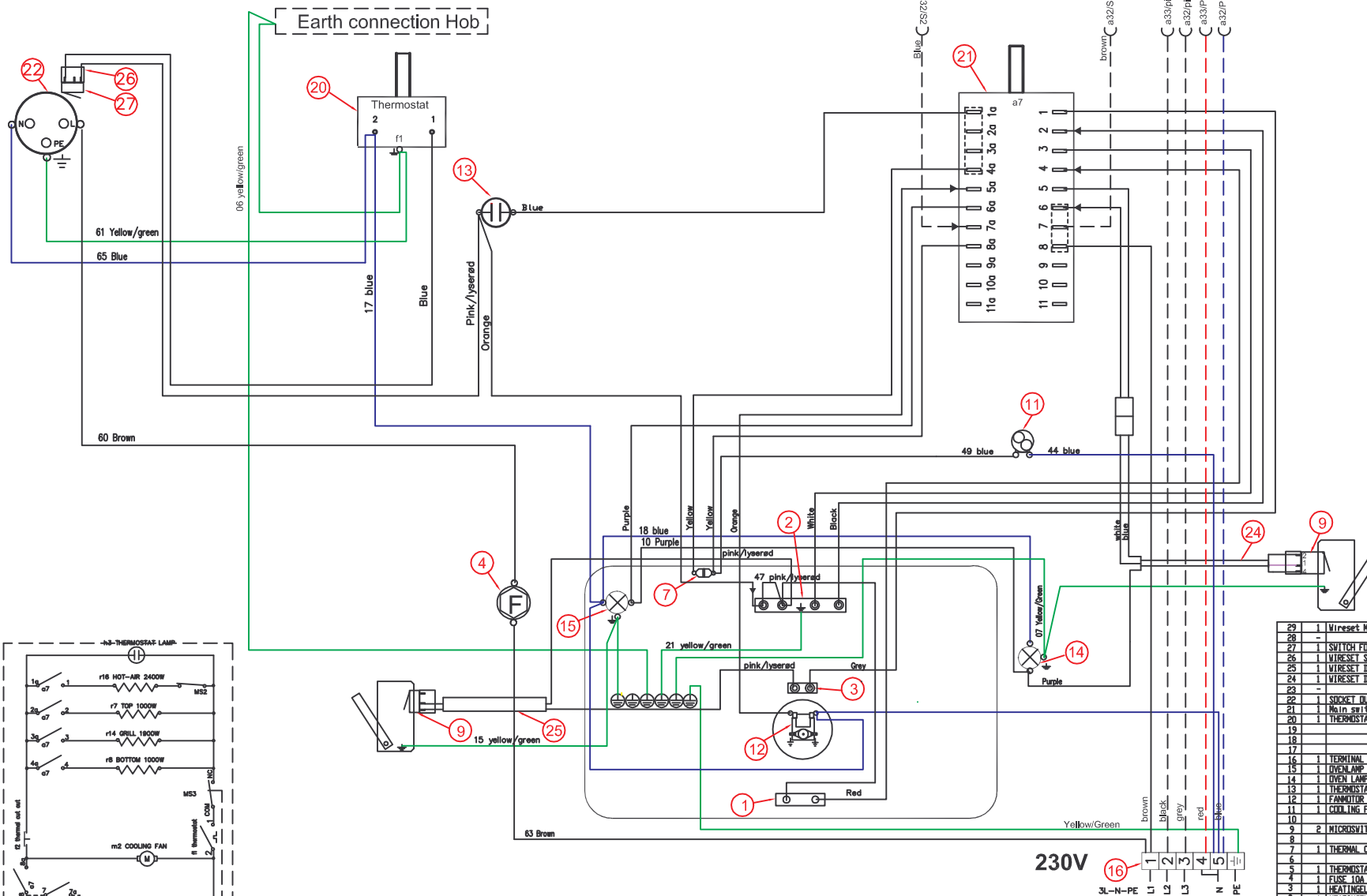


This drawing contains confidential information and its use is restricted to the design owner. It may not be copied, shared or handed to a third party or otherwise used and it is to be returned promptly to the design owner, who is responsible for the drawing.

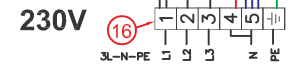
Items shown in this drawing must not contain substances listed in the RoHS Directive (Lead, Cadmium, Mercury, Hexavalent Chromium, PBB and PBDE), or substances classified as Restricted Hazardous List, according to the Electrolux Restricted Hazardous List.



29	1	Wireset MP timer
28	1	SWITCH FOR SOCKET OUTLET
27	1	WIRESET SOCKET OUTLET
26	1	WIRESET DOORSWITCH hot air element
25	1	WIRESET DOORSWITCH
24	1	SOCKET OUT-LET 10A
23	1	Main switch/ oven function THERMOSTAT
22	1	SOCKET OUT-LET
21	1	COOLING FAN
20	1	HEATINGELEM. LOWER 1000W
19	1	HEATINGELEM. TIP 1000/1900W
18	1	HEATINGELEM. HITAIR 2400W
17	1	HEATINGELEM. HITAIR 2400W
16	1	HEATINGELEM. HITAIR 2400W
15	1	HEATINGELEM. HITAIR 2400W
14	1	HEATINGELEM. HITAIR 2400W
13	1	HEATINGELEM. HITAIR 2400W
12	1	HEATINGELEM. HITAIR 2400W
11	1	HEATINGELEM. HITAIR 2400W
10	1	HEATINGELEM. HITAIR 2400W
9	2	HEATINGELEM. HITAIR 2400W
8	1	HEATINGELEM. HITAIR 2400W
7	1	HEATINGELEM. HITAIR 2400W
6	1	HEATINGELEM. HITAIR 2400W
5	1	HEATINGELEM. HITAIR 2400W
4	1	HEATINGELEM. HITAIR 2400W
3	1	HEATINGELEM. HITAIR 2400W
2	1	HEATINGELEM. HITAIR 2400W
1	1	HEATINGELEM. HITAIR 2400W

ID	DESCRIPTION	ELUX PART NO.
	Oven harness	349 7114 04
	Main terminal harness	349 7099 01
	List of single wires	349 7185 02
	Component list	330 2222
	INSULATION HOUSING	

349 7185 02					
VARIANT NUMBER	REPLACED NUMBER	POS.	MODEL	DESIGN USERS	CHANGES FROM THE BASE NUMBER



B	added switch for socket out-let	hh	2006-11-27
A	First edition	hh	2006-01-31
POS.		SIGNATURE	REQUEST
MATERIAL	MODIFICATIONS	SCALE	DATE
TREATMENT	WEIGHT	DESIGN USERS	REPLACES
DESIGN OWNER	DATE	CONCEPT 3D	DERIVED FROM
DATE	2006-01-31	EXACT 3D	SUPPLY SPECIFICATIONS
		Wiring oven assembly MO8.230V.SOCKET OUT-LET 349 7185 02	
NUMBER	REV	SHEET	B