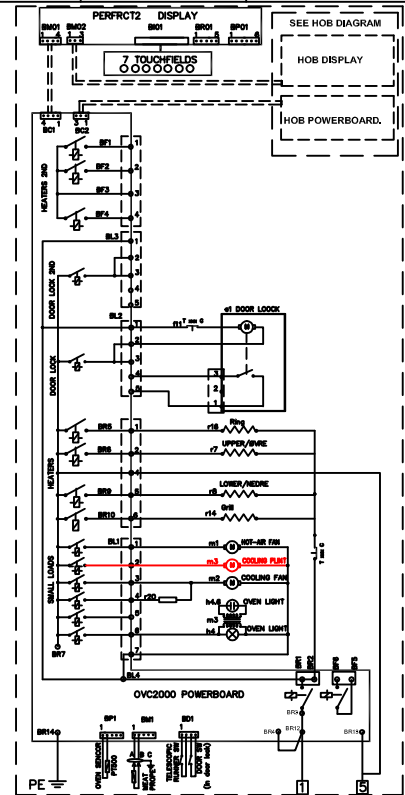
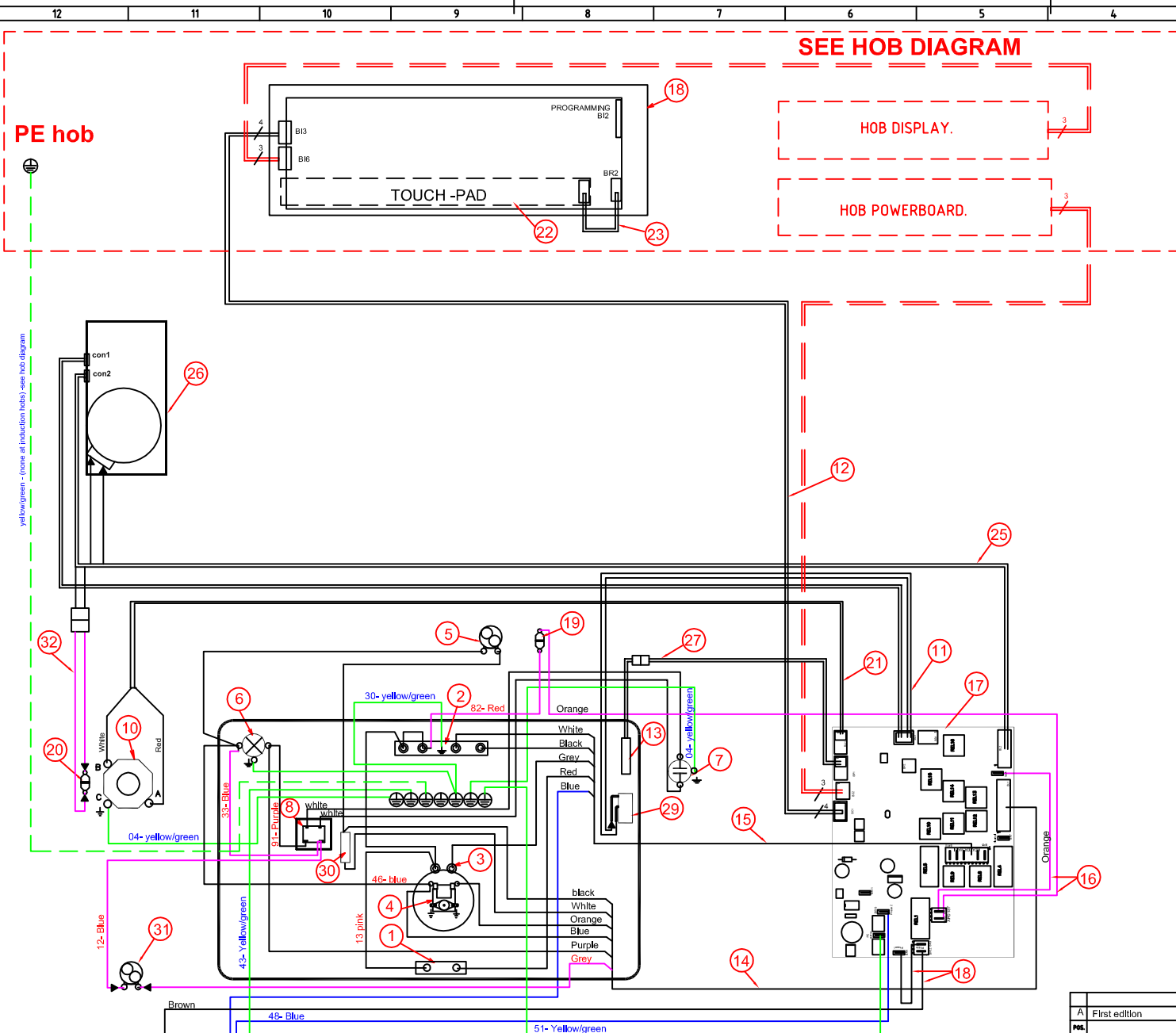


This drawing contains confidential information and is the property of Electrolux. Without written permission, it is not to be reproduced, distributed, or otherwise used and it is to be returned immediately upon request to the design owner, who is responsible for the drawing.

Items shown in this drawing must not contain substances that are banned according to Directive 2002/95/EC, the RoHS Directive, and Commission Decision 2005/618/EC, and must not contain substances that are restricted according to the Electrolux "Banned" or "Restricted" materials list. Restricted Materials List.



Pos No	Components
32	1 Wireset Heat protector, Doorlock
31	1 Cooling fan, plinth
30	1 Resistor for cooling fan 680R 17W
29	1 microswitch for telescopic runner
28	1 Ribbon cable PF2
27	1 Wireset for oversensor
26	1 Door-lock pyro
25	1 Wireset door-lock
24	1 Display PF2
22	1 TOUCH PAD PF2
21	1 Wire set meat probe
20	1 Heat protector Door-lock
19	1 Heat protector
18	1 Wireset 1. mains In
17	1 OVC 2000 power board
16	1 Wire set APD
15	1 Wire set heater
14	1 Wire set small loads
13	1 Oven PT500 sensor
12	1 Wire set MACS OVC 2000 - display 4 pin
11	1 Wireset door-lock signal
10	1 Jack socket meat probe
9	1 Main terminal
8	1 Transformer for sidelamp 230V12V
7	1 Oven lamp back side
6	1 Oven lamp side 12V Haloben
5	1 Cooling fan
4	1 Fan motor hot air
3	1 Heating element hot air 230V 1550W
2	1 Heating element top 230V 1000/1900W
1	1 Heating element lower 230V 1000W

PF2,SIT,PYRO

ID	DESCRIPTION	ELUX PART NO.
	Component list	330 2222
	INSULATION HOUSING	

VARIANT NUMBER	REPLACED NUMBER	POS.	MODEL	DESIGN USERS	CHANGES FROM THE BASE NUMBER

A First edition		S_AhI	ABS 5367	2007-05-12
POS.	MODIFICATIONS	SIGNATURE	REQUEST	DATE
MATERIAL	MODEL	SCALE	REPLACES	EUROPEAN METHOD
TREATMENT	DESIGN USERS	DESIGN DATE	DERIVED FROM	
DESIGN OWNER	DATE	APPV	SUPPLY SPECIFICATIONS	
TITLE		NUMBER		
Wiring oven assembly		349 7177 02		
M2 pyro oven		REV A		
Electrolux		SHEET		