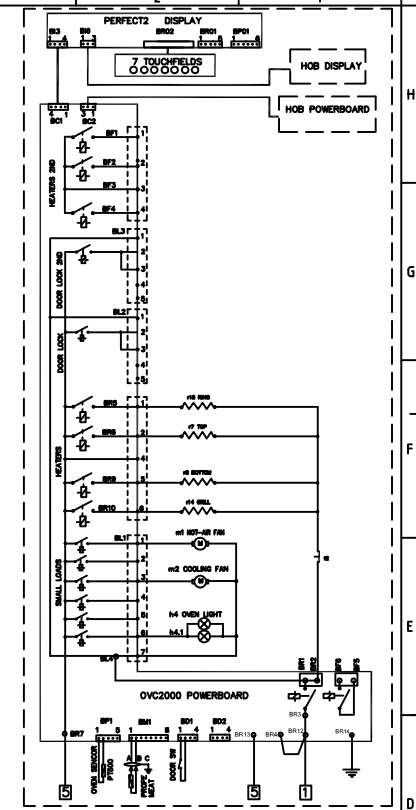
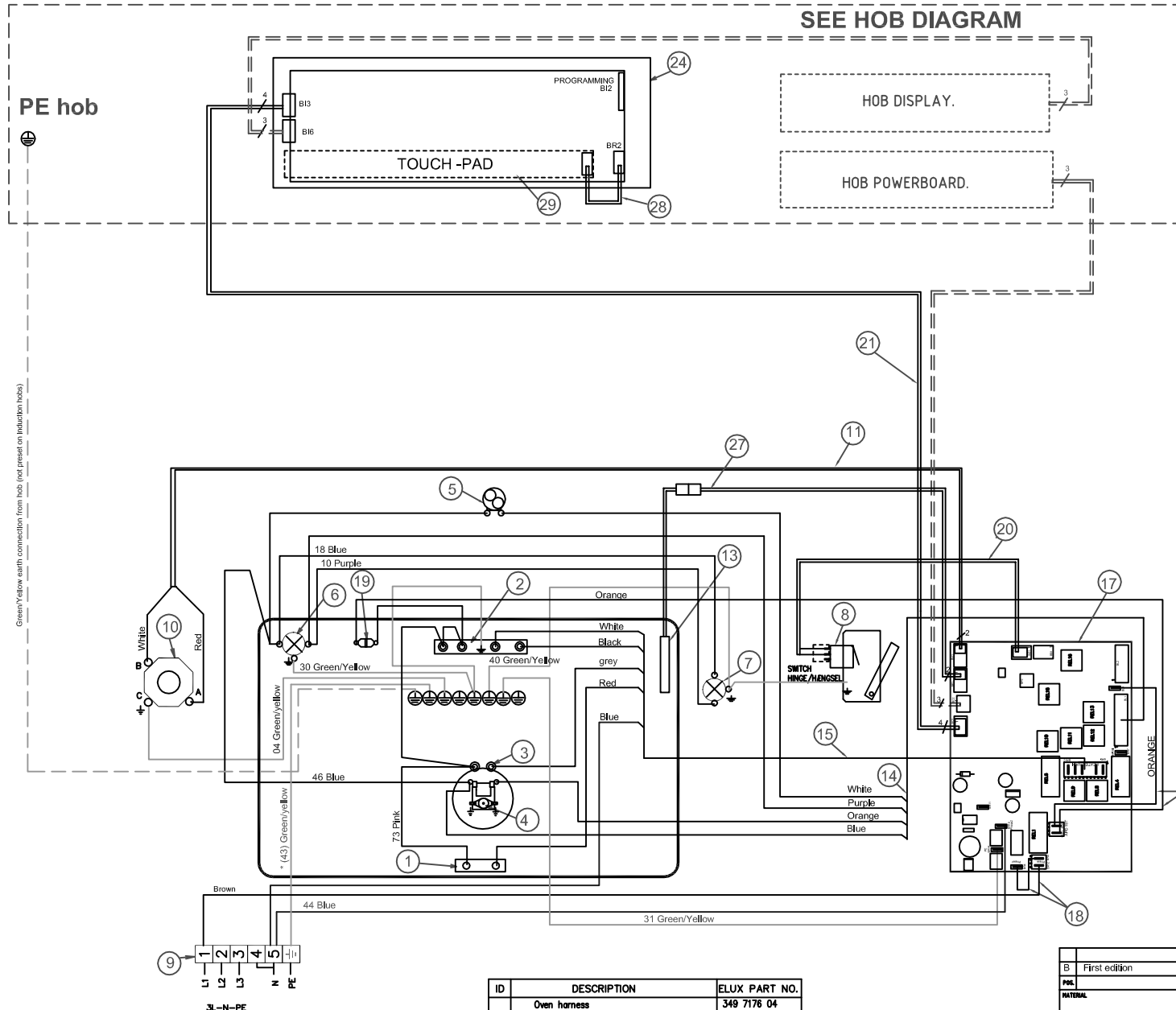


The drawing contains confidential information and it may not be copied, shared or handed to a third party or otherwise used and it is to be returned promptly to the design owner, who is responsible for the drawing.

Items shown in this drawing must not contain substances listed in Annex II of the REACH Directive (Lead, Cadmium, Mercury, Hexavalent Chromium, PBB and PBDE), or substances classified as Restricted Hazardous List, according to the Electrolux Restricted Hazardous List.

GENERAL TOLERANCES
DIMENSIONS
LENGTHS AND DIAMETERS

Green/Yellow earth connection from hob (not present on induction hobs)



Pos	No	Components
29	1	Touch board
28	1	Ribbon cable
27	1	Wireset for oven sensor
26	-	
25	-	
24	1	Display PF2
23	-	
22	-	
21	1	Wire set OVC2000- OVEN DISPLAY
20	1	Wire set Light switch
19	1	Heat protector
18	1	Wireset, APD 1st IN
17	1	OVC 2000 power board
16	1	Wire set APD 1st OUT
15	1	Wire set heater
14	1	Wire set small loads
13	1	Oven PT 500 sensor
12	-	
11	1	Wire set meat probe
10	1	Jack socket meat probe
9	1	Main terminal
8	1	Microswitch fan /light
7	1	Oven lamp side
6	1	Oven lamp back
5	1	Cooling fan
4	1	Fan motor hot air
3	1	Heating elem. hot air 1550W
2	1	Heating elem. top 1000/1900W
1	1	Heating elem. lower 1000W

ID	DESCRIPTION	ELUX PART NO.
	Oven harness	349 7178 04
	Main terminal harness	See hob diagram
	List of single wires, CERAMIC HOB	349 7215 02
*	List of single wires, INDUCTION HOB	349 7220 02
	Component list	330 2222
▶	INSULATION HOUSING	

349 7175-02		-		-	
VARIANT NUMBER	REPLACED NUMBER	POS.	MODEL	DESIGN USERS	CHANGES FROM THE BASE NUMBER

B First edition		hh	2005-11-17
PROFESSIONAL		SIGNATURE	DATE
MATERIAL		SCALE	EUROPEAN METHOD
TREATMENT		DESIGN USERS	REPLACES
DESIGN OWNER		DATE	DERIVED FROM
DATE 2005-11-17		APP	SUPPLY SPECIFICATIONS
3D ONLY		TITLE Wiring oven assembly	
CHECK ID		NUMBER 349 7175 02	
EXACT ID		REV B	
		SHEET	

230V, SIT DESIGN ONLY