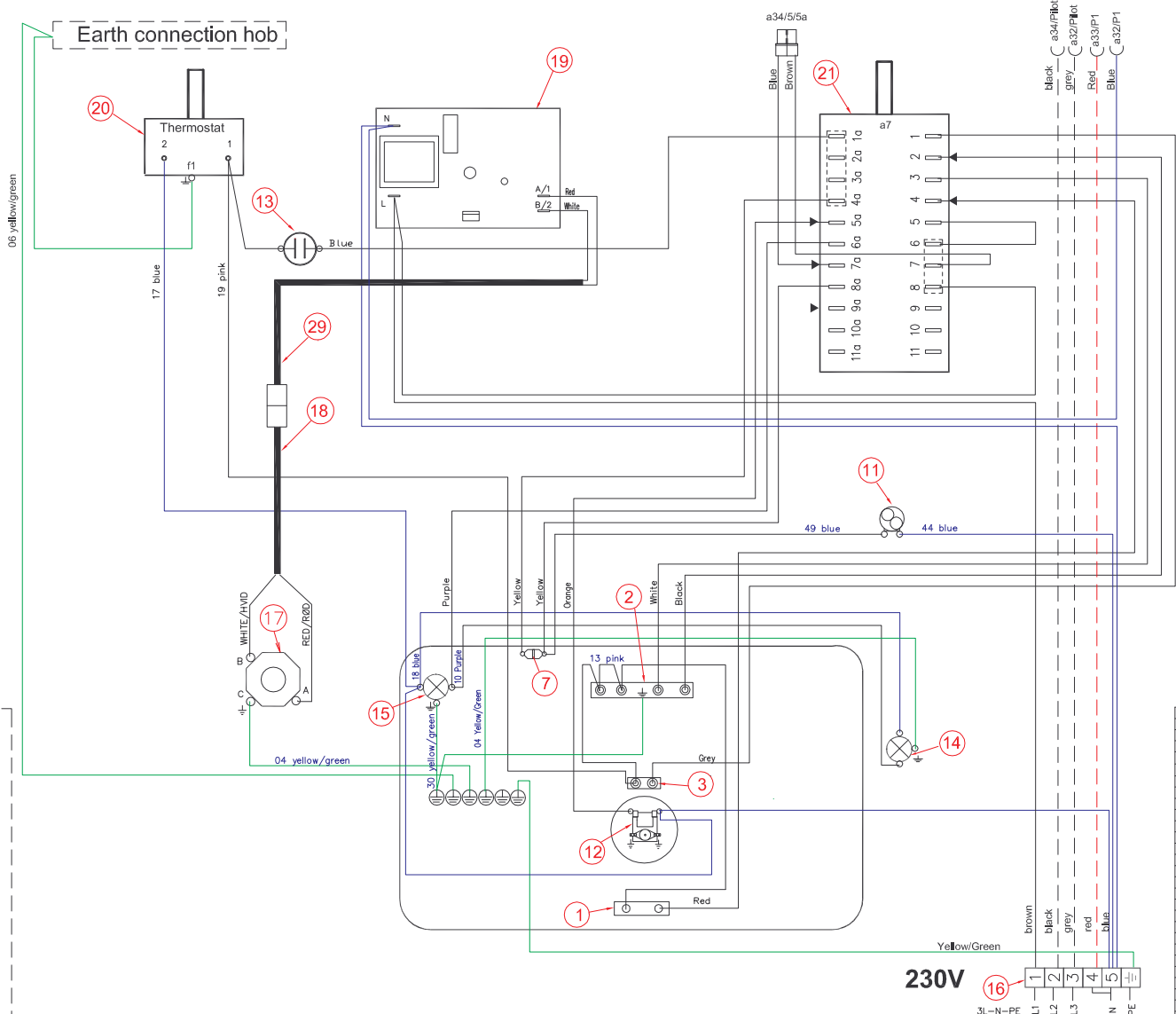
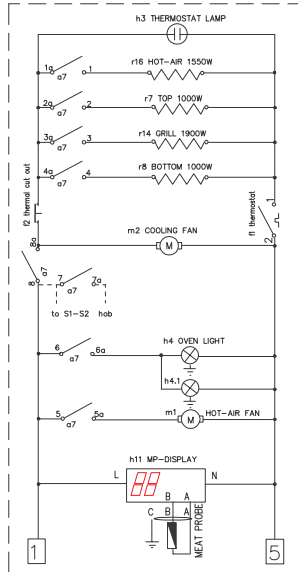


This drawing contains confidential information and its disclosure may not be copied, shown or handed to a third party or otherwise used and it is to be returned promptly to the originator. The originator, who is responsible for the drawing.

Items shown in this drawing must not contain substances which are restricted according to the RoHS Directive (Lead, Cadmium, Mercury, Hexavalent Chromium, PBB and PBDE), or substances classified as Restricted Hazardous Substances according to the Electrolux Restricted Hazardous List.

GENERAL TOLERANCES:
ANGLES:
LENGTHS AND DIAMETERS:
A2 (DF03)



| | |
|---------|----------------------------|
| 29 | Vireset MP timer |
| 28 | - |
| 27 | - |
| 26 | - |
| 25 | - |
| 24 | - |
| 23 | - |
| 22 | - |
| 21 | Main switch/ oven function |
| 20 | THERMOSTAT |
| 19 | MEATPROBE DISPLAY |
| 18 | Vireset MP socket |
| 17 | JACK SOCKET |
| 16 | TERMINAL STRIP 6 PDS, SWAP |
| 15 | OVEN LAMP TOP |
| 14 | OVEN LAMP SIDE |
| 13 | THERMOSTAT LAMP |
| 12 | FAN MOTOR HOTAIR/IVEN |
| 11 | COOLING FAN |
| 10 | - |
| 9 | - |
| 8 | - |
| 7 | THERMAL CUT OUT |
| 6 | - |
| 5 | - |
| 4 | - |
| 3 | HEATINGELE. HOTAIR 1550W |
| 2 | HEATINGELE. TOP 1000/1900W |
| 1 | HEATINGELE. LOWER 1000W |
| POS ANT | GENSTAND |

| ID | DESCRIPTION | ELUX PART NO. |
|----|-----------------------|---------------|
| | Oven harness | 349 7161 04 |
| | Main terminal harness | 349 7121 01 |
| | List of single wires | 349 7165 02 |
| | Component list | 330 2222 |
| | INSULATION HOUSING | |

| VARIANT NUMBER | 349 7164-02 | REPLACED NUMBER | POS. | MODEL | DESIGN USERS | CHANGES FROM THE BASE NUMBER |
|----------------|-------------|-----------------|------|-------|--------------|------------------------------|
| | | | | | | |

| | | | |
|-----------------------------------|---------------|-----------------------|------------------------|
| A First edition | | hh | 2006-04-24 |
| POS. | MODIFICATIONS | SIGNATURE | DATE |
| MATERIAL | WEIGHT | DESIGN USERS | REPLACES |
| TREATMENT | DERIVED FROM | SUPPLY SPECIFICATIONS | EUROPEAN METHOD |
| DESIGN OWNER | DRN HH | END | 3D ONLY X |
| DATE 2006-04-24 | APR | CONCEPT 3D | EXACT 3D |
| TITLE Wiring oven assembly | | | NUMBER 349 7164 |
| | | | REV A |
| SHEET | | | |