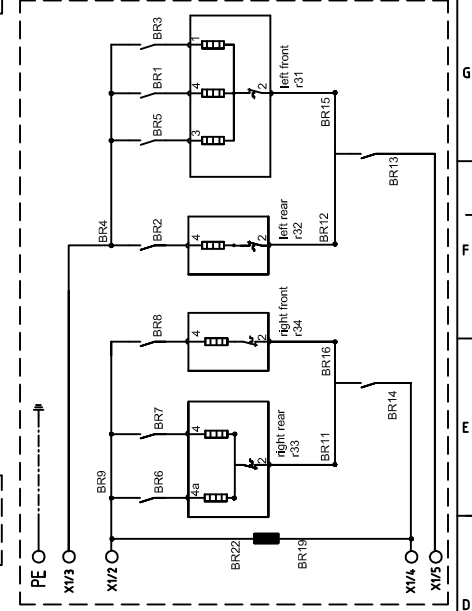
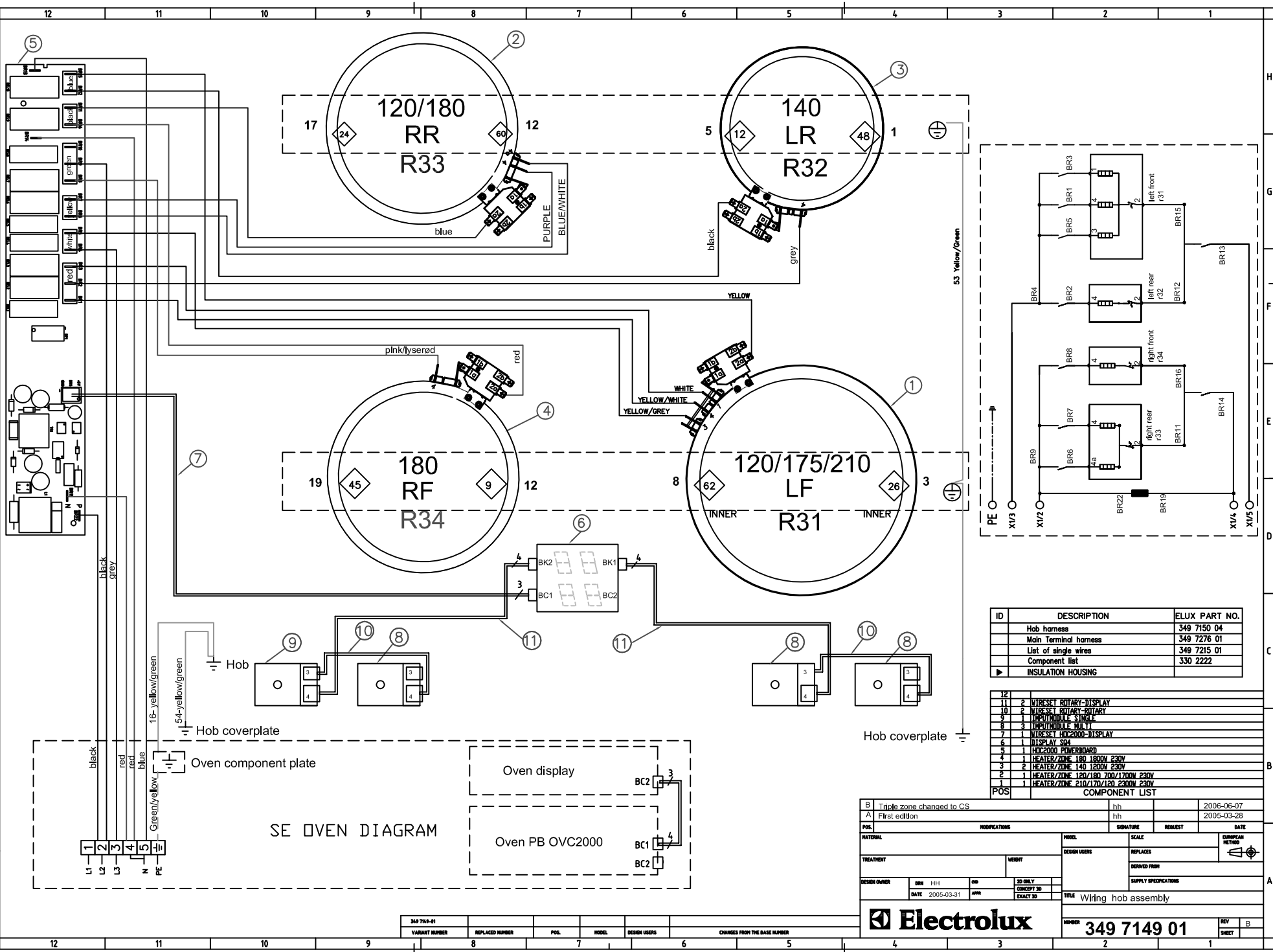


The drawing contains confidential information and it may not be copied, shown or handed to a third party or otherwise used and it is to be returned promptly to the design owner, who is responsible for the drawing.

Items shown in this drawing must not contain substances listed in Annex II of the RoHS Directive (Lead, Cadmium, Mercury, Hexavalent Chromium, PBB and PBDE), or substances classified as Restricted Hazardous List, according to the Electrolux Restricted Hazardous List.

GENERAL TOLERANCES  
ANGLES  
DIMENSIONS AND DIMENSIONS



ID	DESCRIPTION	ELUX PART NO.
	Hob harness	349 7150 04
	Main terminal harness	349 7276 01
	List of single wires	349 7215 01
	Component list	330 2222
	INSULATION HOUSING	

POS	QTY	DESCRIPTION	ELUX PART NO.
11	2	WIRESET ROTARY-DISPLAY	
10	2	WIRESET ROTARY-ROTARY	
9	1	INPUT/MIDDLE SINGLE	
9	1	INPUT/MIDDLE MULTI	
7	1	WIRESET ROTARY-DISPLAY	
6	1	DISPLAY SIM	
5	1	HD2000 PIMMERBOARD	
4	1	HEATER/ZONE 180 1800V 230V	
3	2	HEATER/ZONE 140 1200V 230V	
2	1	HEATER/ZONE 120/180 700/1700V 230V	
1	1	HEATER/ZONE 210/170/120 2300V 230V	

B Triple zone changed to CS		hh	2006-06-07
A First edition		hh	2005-03-28
PROFESSION		SIGNATURE	REQUEST
MATERIAL		SCALE	EUROPEAN METHOD
TREATMENT		DESIGN USER	REPLACES
DESIGN OWNER		WEIGHT	DERIVED FROM
DATE 2005-03-31		DATE	SUPPLY SPECIFICATIONS
APPR		DATE	TITLE Wiring hob assembly
3D ONLY		DATE	NUMBER 349 7149 01
EXACT 3D		DATE	REV B
EXACT 3D		DATE	SHEET

349 7149-01	REPLACED NUMBER	POS.	MODEL	DESIGN USER	CHANGES FROM THE BASE NUMBER
VARIANT NUMBER					