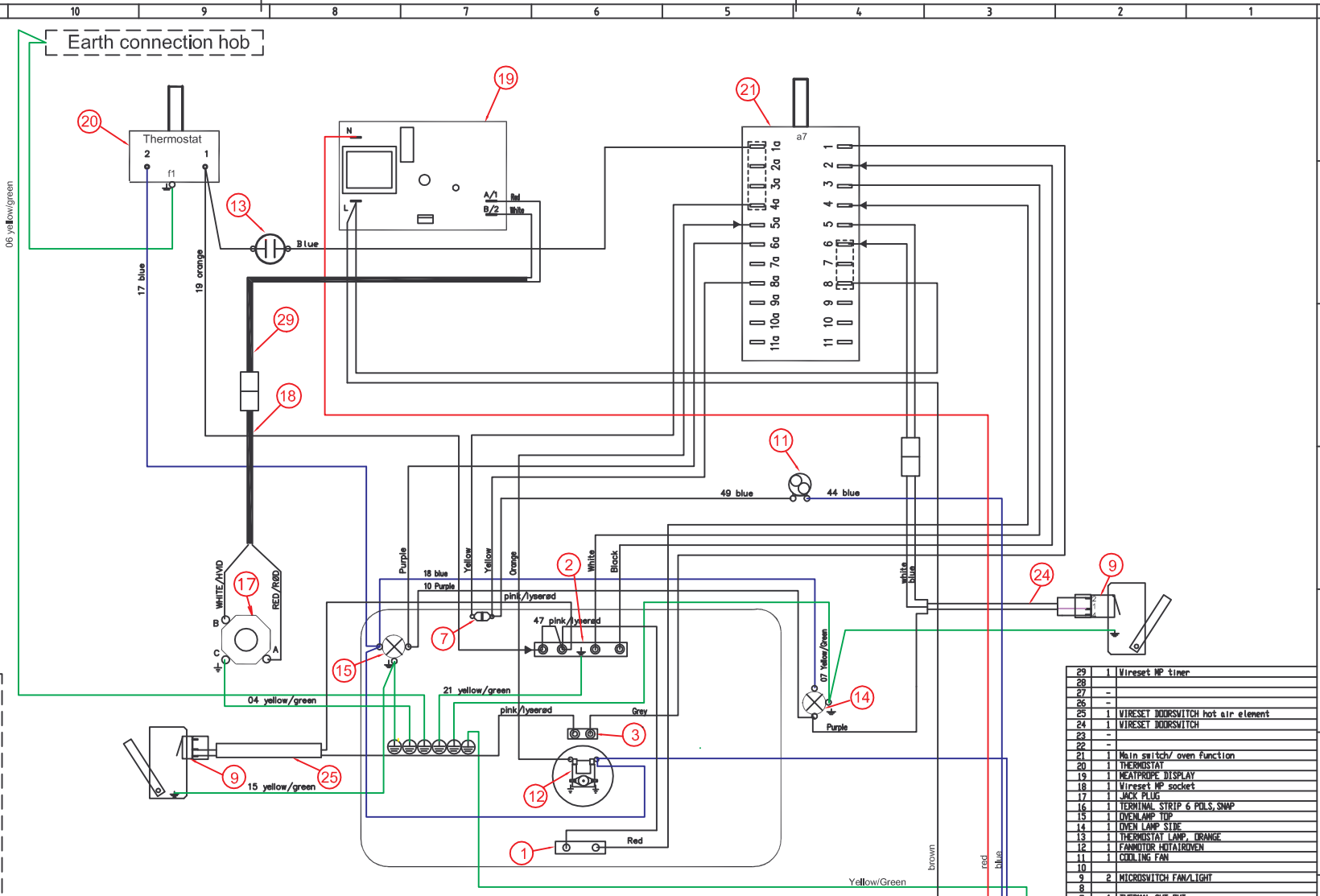
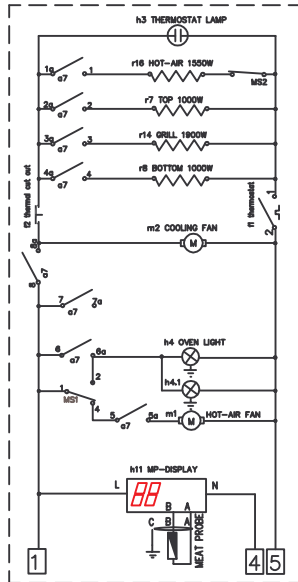


This drawing contains confidential information and its disclosure may not be copied, shared or handed to a third party or otherwise used and it is to be returned promptly to the design owner, who is responsible for the drawing.

Items shown in this drawing must not contain substances listed in the RoHS Directive (Lead, Cadmium, Mercury, hexavalent Chromium, PBB and PBDE), or substances classified as Restricted Hazardous List, according to The Electrolux Restricted Hazardous List.

GENERAL TOLERANCES
ANGLES
LENGTHS AND DIMENSIONS



29	1	Wireset MP timer
28	-	
27	-	
26	-	
25	1	WIRESET BODYSWITCH hot air element
24	1	WIRESET BODYSWITCH
23	-	
22	-	
21	1	Main switch/ oven function THERMOSTAT
19	1	HEATPROBE DISPLAY
18	1	Wireset MP socket
17	1	JACK PLUG
16	1	TERMINAL STRIP 6 PINS, SNAP
15	1	OVEN LAMP TIP
14	1	OVEN LAMP SIDE
13	1	THERMOSTAT LAMP, ORANGE
12	1	FANMOTOR HITAIR/IVEN
11	1	COOLING FAN
10	1	
9	2	MICROSWITCH FAN/LIGHT
8	-	
7	1	THERMAL CUT OUT
6	-	
5	-	
4	-	
3	1	HEATINGELE HITAIR 1400W
2	1	HEATINGELE TIP 1000/1500W
1	1	HEATINGELE LINER 1000W
POS/ANT		GENSTAND

ID	DESCRIPTION	ELUX PART NO.
	Oven harness	349 7143 04
	Main terminal harness	see hob diagram
	List of single wires	349 7170 02
	Component list	330 2222
	INSULATION HOUSING	

349 7142-02				DKK	
VARIANT NUMBER	REPLACED NUMBER	POS.	MODEL	DESIGN USERS	CHANGES FROM THE BASE NUMBER

C Control lamp removed		hh		2005-03-22	
A First edition		hh		2005-03-22	
POS.	MODIFICATIONS	SIGNATURE	REQUEST	DATE	
MATERIAL	WEIGHT	DESIGN USERS	REPLACES	EUROPEAN METHOD	
TREATMENT	WEIGHT	DESIGN USERS	DERIVED FROM	SUPPLY SPECIFICATIONS	
DESIGN OWNER	DATE	APPR	TITLE	Wiring oven assembly induction	
Electrolux		NUMBER		349 7142 02	
		REV		C	
		SHEET		1	