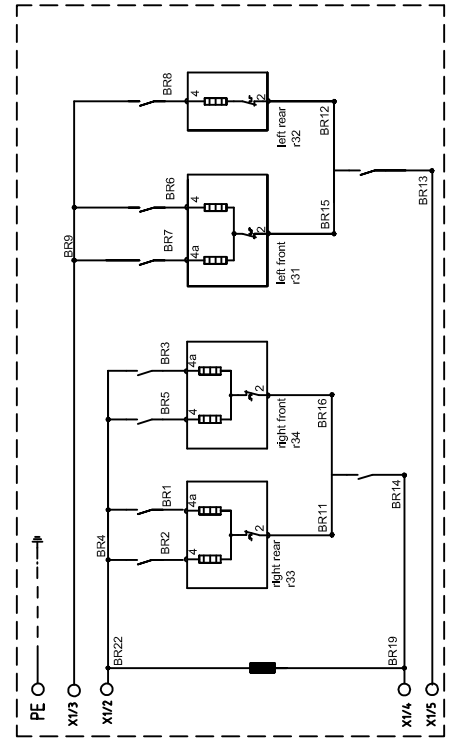
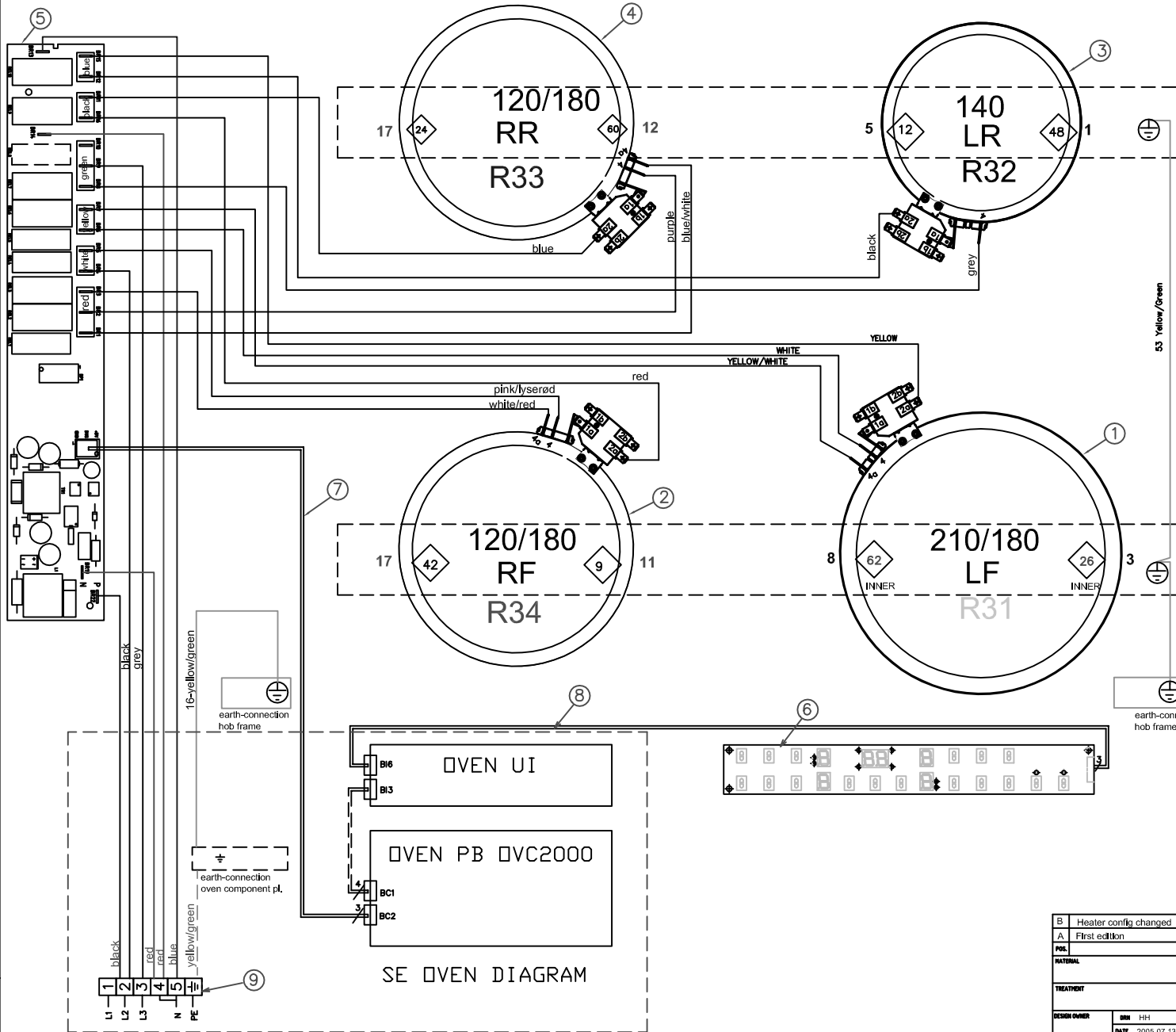


The drawing contains confidential information and it may not be copied, shared or handed to a third party or otherwise used and it is to be returned promptly to the design owner, who is responsible for the drawing.

Items shown in this drawing must not contain substances listed in Annex II of the RoHS Directive (Lead, Cadmium, Mercury, Hexavalent Chromium, PBB and PBDE), or substances classified as Restricted Hazardous List, according to the Electrolux Restricted Hazardous List.

GENERAL TOLERANCES  
A22 (DF93)



ID	DESCRIPTION	ELUX PART NO.
	Hob harness	349 7146 04
	Main terminal harness	349 7276 01
	List of single wires	349 7213 01
	Component list	330 2222
	INSULATION HOUSING	

POS	DESCRIPTION	QUANTITY
10	1 Mains terminal	
9	1 Wire set Oven UI/Hob UI, 3 pin MGS	
8	1 Wire set Oven UI/Hob UI, 3 pin MGS	
7	1 Wireset DVC2000/HIC2000, 3-pin MGS	
6	1 HIC TOUCH HORIZONTAL USER INTERFACE	
5	1 HIC 2000 POWERBOARD	
4	1 HEATER/ZONE 180 1800W 230V	
3	1 RADIANT HEATER/ZONE 140 1200W 230V	
2	2 HEATER/ZONE 120/180 1000/1700W 230V	
1	1 HEATER/ZONE 210/140 2200W 230V	

POS	DESCRIPTION	QUANTITY
B	Heater config changed	hh
A	First edition	hh xxxxxx

MATERIAL		MODEL		SCALE		EUROPEAN METHOD	
TREATMENT		WEIGHT		REVISIONS		REPLACES	
DESIGN OWNER		DATE		APPROVED		DERIVED FROM	
DATE: 2005-07-13		APP: [Signature]		TITLE: Wiring hob assembly		SUPPLY SPECIFICATIONS	
<b>Electrolux</b>				PART NO. <b>349 7138 01</b>		REV. <b>B</b>	

VARIANT NUMBER	REPLACED NUMBER	POS.	MODEL	DESIGN USERS	CHANGES FROM THE BASE NUMBER
349 7138-01					