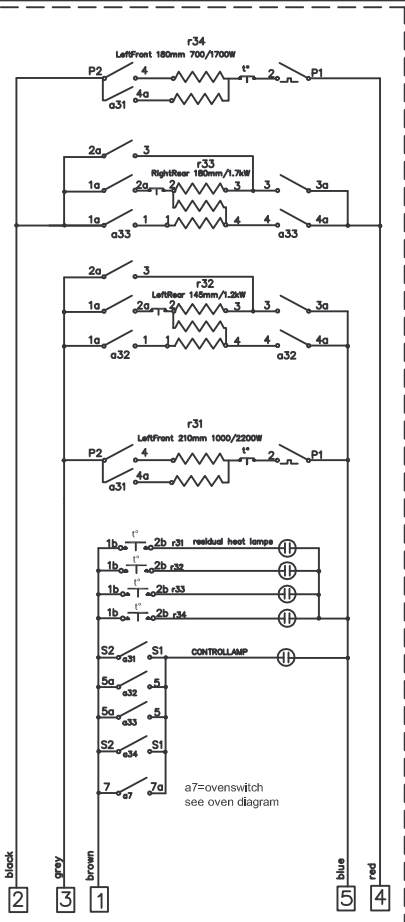
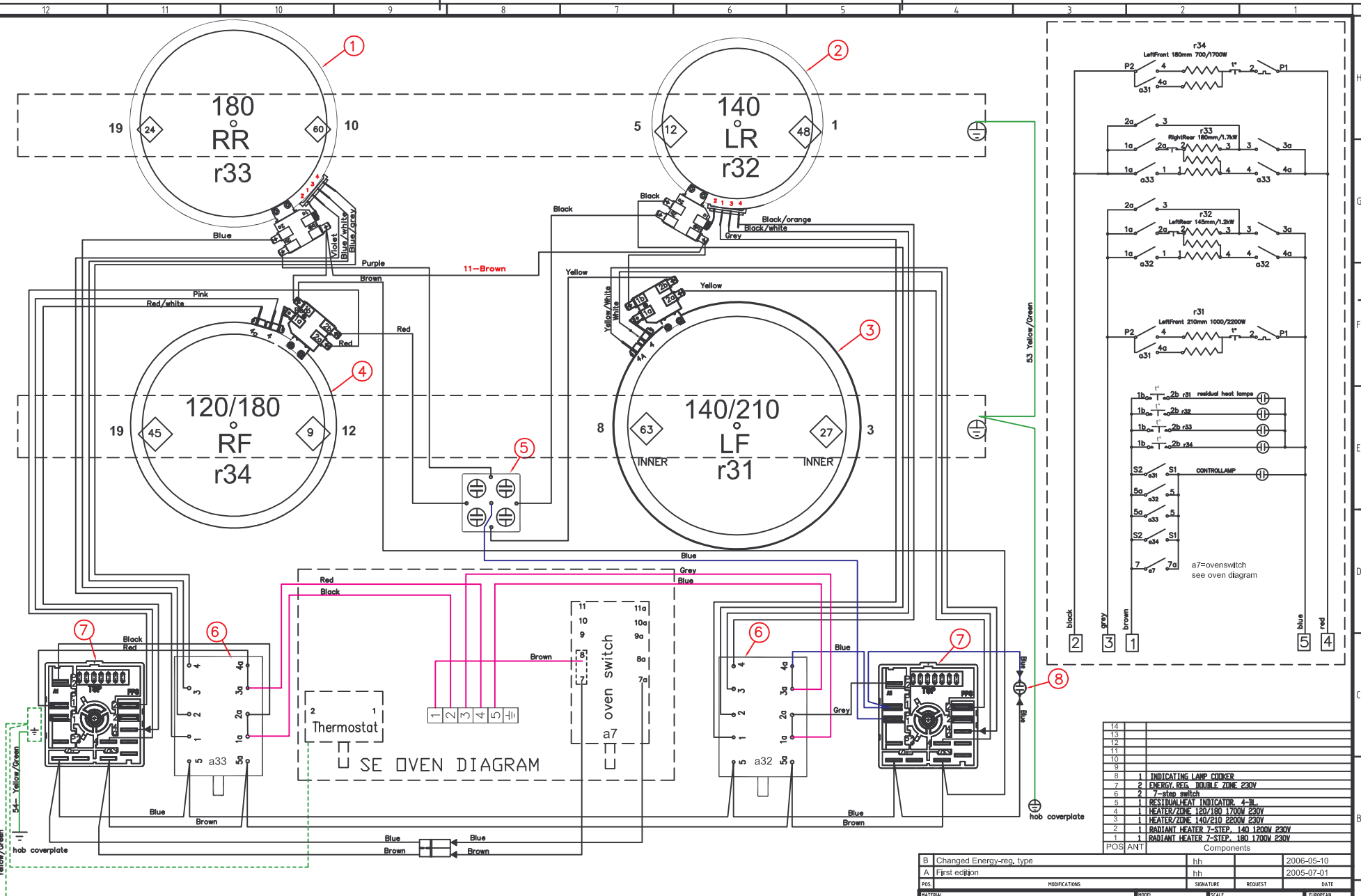


This drawing contains confidential information and is the property of Electrolux. Without whose permission it may not be copied, shown or handed to a third party upon request to the design owner, who is responsible for the drawing.

Items shown in this drawing must not contain substances that are banned according to Directive 2002/95/EC, the RoHS Directive (Lead, Cadmium, Mercury, Hexavalent Chromium, Polychlorinated Biphenyls, Polybrominated Biphenyls) or "Banned" or "Restricted" according to the Electrolux Restricted Materials List.

GENERAL TOLERANCES:  
ANGLES  
LENGTHS AND DIMETERS



14	
13	
12	
11	
10	
9	
8	1 INDICATING LAMP COOKER
7	2 ENERGY SAVING THERMISTOR 230V
6	2 7-step switch
5	1 RESIDUALHEAT INDICATOR, 4-BL
4	1 HEATER/ZONE 120/180 1700W 230V
3	1 HEATER/ZONE 140/210 2200W 230V
2	1 RADIANT HEATER 7-STEP, 180 1200W 230V
1	1 RADIANT HEATER 7-STEP, 180 1700W 230V

ID	DESCRIPTION	ELUX PART NO.
	Hob harness	349 7124 04
	List of single wires	349 7163 01
	Component list	330 2222
	INSULATION HOUSING	

FRONT SEEN FROM BOTTOM

349 7123-01					
VARIANT NUMBER	REPLACED NUMBER	POS.	MODEL	DESIGN USERS	CHANGES FROM THE BASE NUMBER

B Changed Energy-reg. type		hh	2006-05-10
A First edition		hh	2005-07-01
POS.	MODIFICATIONS	SIGNATURE	REQUEST
MATERIAL	WEIGHT	DESIGN USERS	REPLACES
TREATMENT			DERIVED FROM
DESIGN OWNER	DRN hh	PROJ. NO.	SUPPLY SPECIFICATIONS
DATE 2005-06-29	APP. FRZ4 B 3	TITLE	Wiring hob assembly
<b>Electrolux</b>		NUMBER	349 7123
		REV.	B
		SHEET	