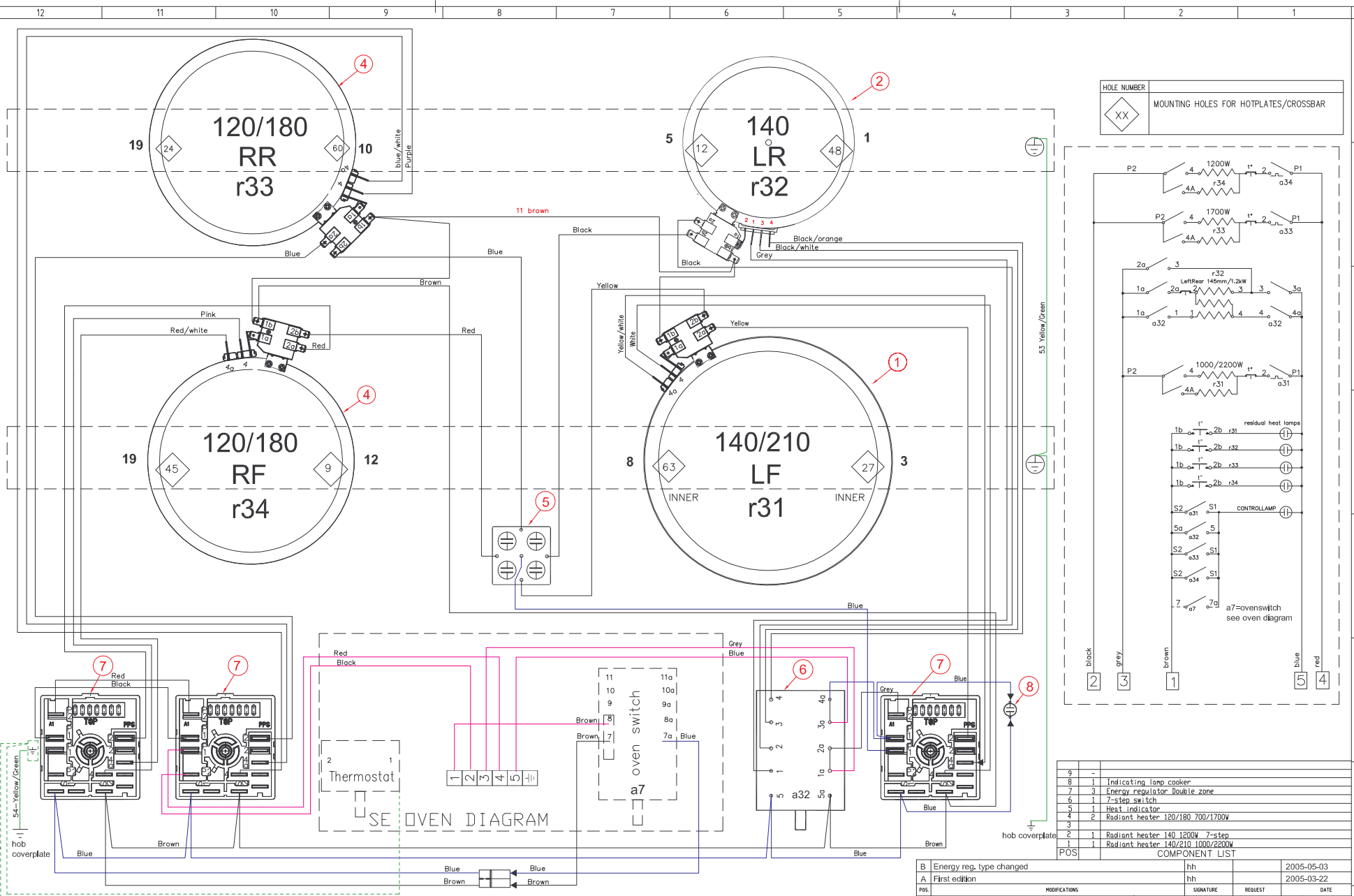
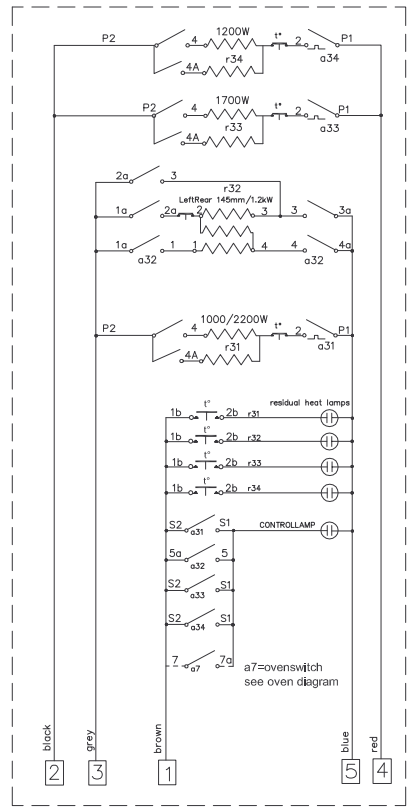


This drawing contains confidential information and its disclosure may not be copied, shown or handed to a third party or otherwise used and it is to be returned promptly to the design owner, who is responsible for the drawing.

Items shown in this drawing must not contain substances which are prohibited by the RoHS Directive (Lead, Cadmium, Mercury, Hexavalent Chromium, PBB and PBDE), or substances classified as Restricted Hazardous Substances according to the Electrolux Restricted Hazardous List.



HOLE NUMBER	XX
MOUNTING HOLES FOR HOTPLATES/CROSSBAR	



POS	DESCRIPTION	QUANTITY
9	-	-
8	1 Indicating lamp cooker	1
7	3 Energy regulator Double zone	3
6	1 7-step switch	1
5	1 Heat indicator	1
4	2 Radiant heater 120/180 700/1700W	2
3	1 Radiant heater 140 1200W 7-step	1
1	1 Radiant heater 140/210 1000/2200W	1
COMPONENT LIST		

FRONT SEEN FROM BOTTOM

ID	DESCRIPTION	ELUX PART NO.
	Hob harness	349 7120 04
	List of single wires	349 7165 01
	Component list	330 2222
	INSULATION HOUSING	

349 7119-01					
VARIANT NUMBER	REPLACED NUMBER	POS.	MODEL	DESIGN USERS	CHANGES FROM THE BASE NUMBER
		7			

B Energy reg. type changed		hh	2005-03-03
A First edition		hh	2005-03-22
POS.	MODIFICATIONS	SIGNATURE	REQUEST DATE
MATERIAL		SCALE	EUROPEAN METHOD
TREATMENT	WEIGHT	DESIGN USERS	REPLACES
		DERIVED FROM	
		SUPPLY SPECIFICATIONS	
DESIGN OWNER	DRN HH	DD	3D ONLY X
	DATE 2005-03-22	APR	CONCEPT 3D
		TITLE Wiring hob assembly	
		NUMBER 349 7119	REV B
		SHEET	

GENERAL TOLERANCES
ANGLES
LENGTHS AND DIAMETERS

oven comp. pl.

hob coverplate

hob coverplate

SE OVEN DIAGRAM

oven switch

Thermostat

Yellow/Green

Yellow/Green

Yellow/Green

Yellow/Green

Yellow/Green

Yellow/Green

Yellow/Green

Yellow/Green

Yellow/Green

Yellow/Green

Yellow/Green

Yellow/Green

Yellow/Green

Yellow/Green

Yellow/Green

Yellow/Green

Yellow/Green

Yellow/Green

Yellow/Green

Yellow/Green