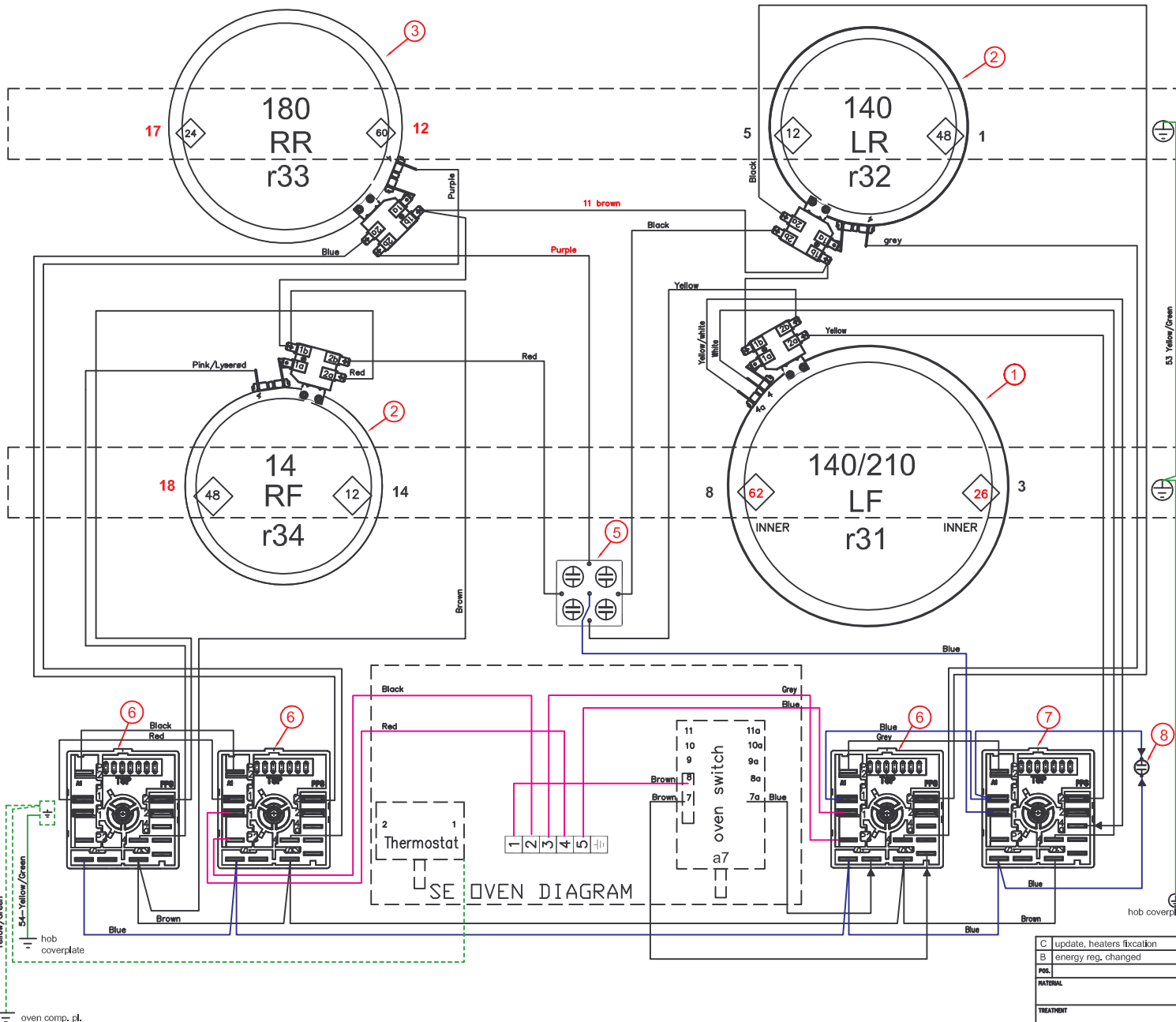
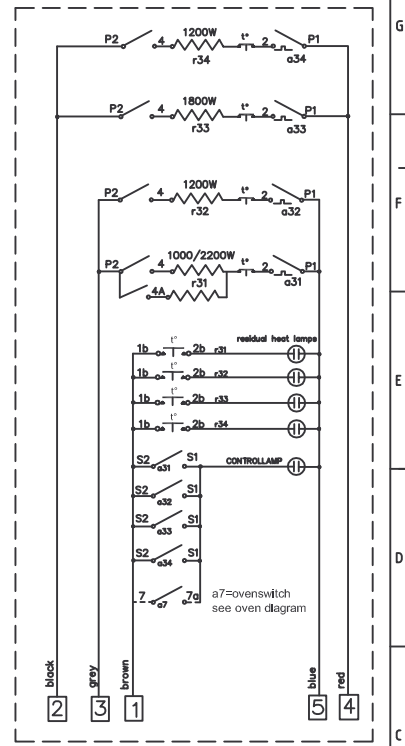


This drawing contains confidential information and it may not be copied, shared or handed to a third party or otherwise used and it is to be returned promptly to the design owner, who is responsible for the drawing.

Items shown in this drawing must not contain substances listed in the RoHS Directive (Lead, Cadmium, Mercury, Hexavalent Chromium, PBB and PBDE), or substances classified as Restricted Hazardous List, according to the Electrolux Restricted Hazardous List.



HOLE NUMBER	XX
MOUNTING HOLES FOR HOTPLATES/CROSSBAR	



POS	DESCRIPTION	QUANTITY
9	-	-
8	1 Indicating lamp red	1
7	1 Energy regulator double zone	1
6	3 Energy regulator single zone	3
5	1 Heat indicator	1
4	-	-
3	1 Radiant heater 180 1800W	1
2	2 Radiant heater 140 1800W	2
1	1 Radiant heater 140/210 1000/2200W	1

COMPONENT LIST	DATE
hh	2006-11-27
hh	2006-05-10

C update, heaters fixation		hh	2006-11-27
B energy reg. changed		hh	2006-05-10
POS	MODIFICATIONS	SIGNATURE	REQUEST
MATERIAL	WEIGHT	DESIGN USERS	REPLACES
TREATMENT	CONCEPT 3D	EXACT 3D	DERIVED FROM
DESIGN OWNER	DATE 2006-03-22	APPR	TITLE
Wiring hob assembly			SUPPLY SPECIFICATIONS
			NUMBER
349 7116 01			REV C
SHEET			

FRONT SEEN FROM BOTTOM

ID	DESCRIPTION	ELUX PART NO.
	Hob harness	349 7117 04
	List of single wires	349 7186 01
	Component list	330 2222
	INSULATION HOUSING	

349 7116-01	REPLACED NUMBER	POS.	MODEL	DESIGN USERS	CHANGES FROM THE BASE NUMBER