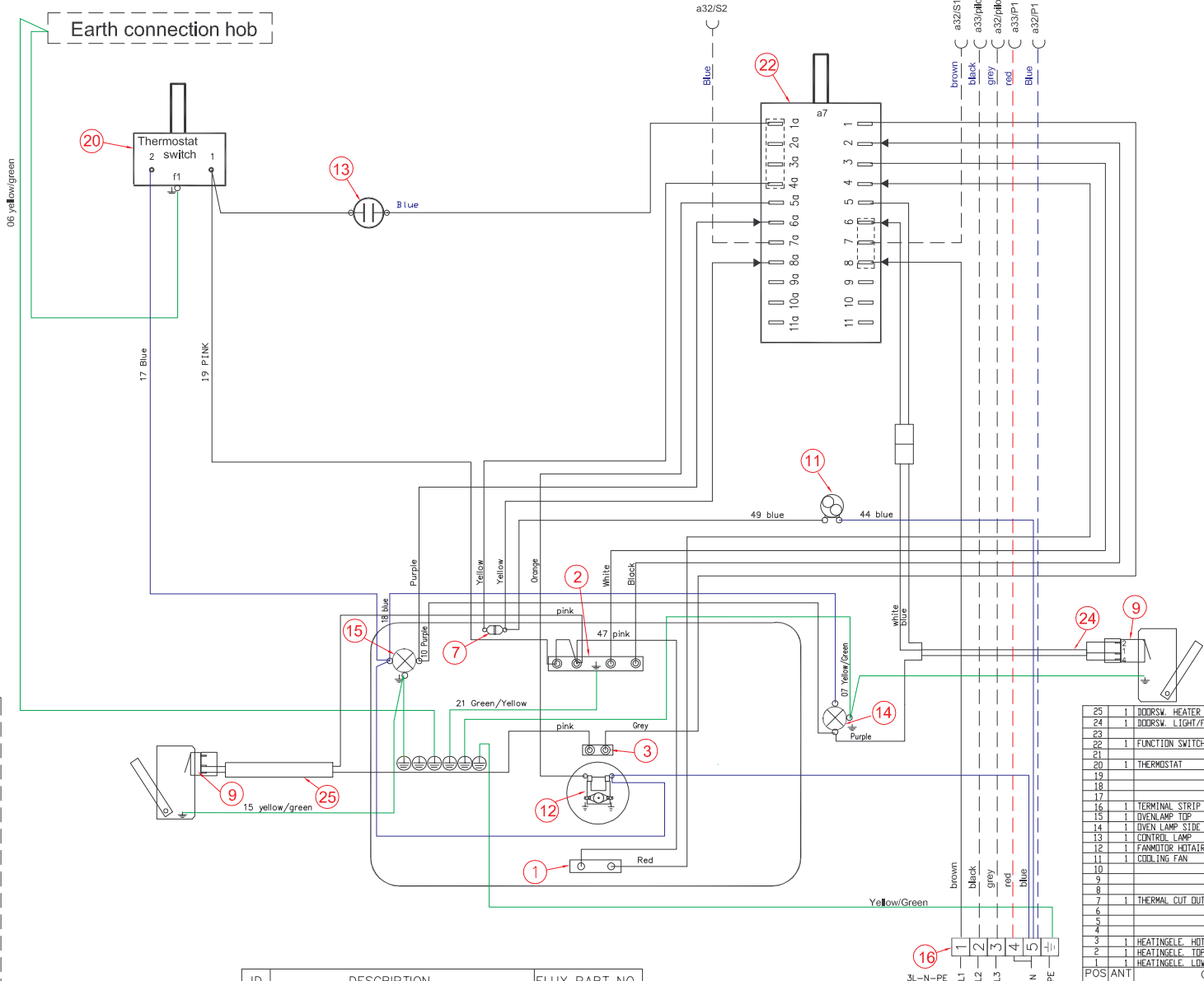
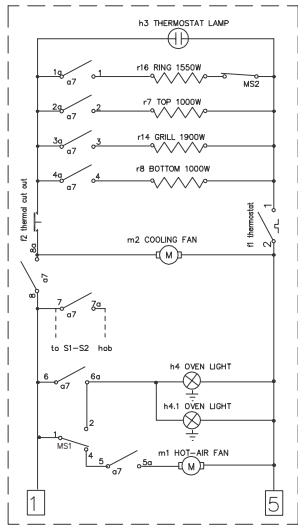


This drawing contains confidential information and its disclosure may not be copied, shown or handed to a third party or otherwise used and it is to be returned promptly to the design owner, who is responsible for the drawing.

Items shown in this drawing must not contain substances which are restricted according to the RoHS Directive (Lead, Cadmium, Mercury, Hexavalent Chromium, PBB and PBDE), or substances classified as Restricted Hazardous Substances according to the Electrolux Restricted Hazardous List.

GENERAL TOLERANCES  
ANGLES  
LENGTHS AND DIAMETERS



25	1	DOORSW. HEATER
24	1	DOORSW. LIGHT/FAN
23	1	FUNCTION SWITCH
21	1	THERMOSTAT
20	1	HEATINGELEM. TOP 1000/1900W
19	1	HEATINGELEM. LOWER 1000W
18	1	HEATINGELEM. HOTAIR 1550W
17	1	TERMINAL STRIP 6 PDSLS SWAP
16	1	OVENLAMP TOP
15	1	OVENLAMP SIDE
14	1	CONTROL LAMP
13	1	FANMOTOR HOTAIRDRIVEN
12	1	COOLING FAN
11	1	THERMAL CUT OUT
10	1	HEATINGELEM. LOWER 1000W
9	1	HEATINGELEM. TOP 1000/1900W
8	1	HEATINGELEM. HOTAIR 1550W
7	1	FUNCTION SWITCH
6	1	DOORSW. LIGHT/FAN
5	1	DOORSW. HEATER
4	1	DOORSW. HEATER
3	1	DOORSW. HEATER
2	1	DOORSW. HEATER
1	1	DOORSW. HEATER

ID	DESCRIPTION	ELUX PART NO.
1	Oven harness	349 7114 04
2	Main terminal harness	349 7099 01
3	LIST OF SINGLE WIRES	349 7255 02
4	Component list	330 2222
5	INSULATION HOUSING	

DESIGN OWNER		DRN		HH		DD		3D ONLY	
DKK		DATE		2005-08-16		APPR		CONCEPT 3D	
TREATMENT		WEIGHT		DESIGN USERS		REPLACES		DERIVED FROM	
MATERIAL		MODIFICATIONS		SIGNATURE		REQUEST		DATE	
EUROPEAN METHOD		SCALE		TITLE		Wiring Hot air oven		NUMBER	
3L-N-PE		3 3 3 3		N		L		349 7113	
REV		SHEET		A					



VARIANT NUMBER	REPLACED NUMBER	POS.	MODEL	DESIGN USERS	CHANGES FROM THE BASE NUMBER