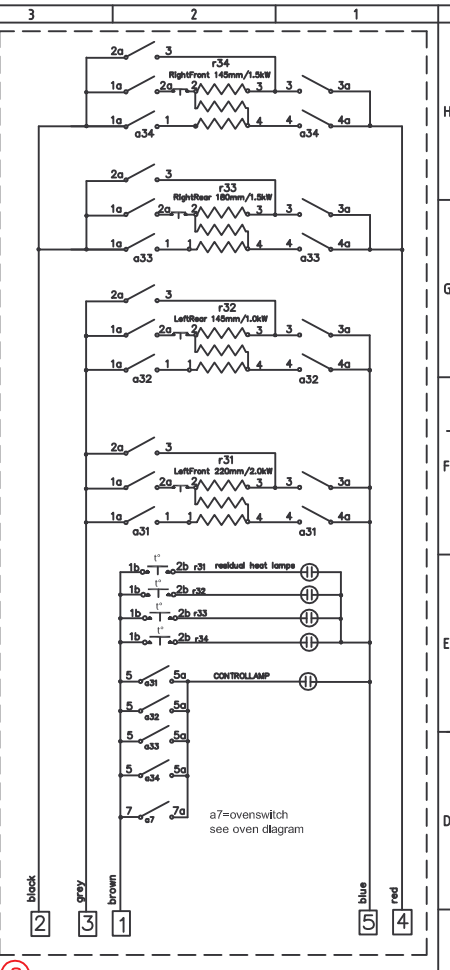
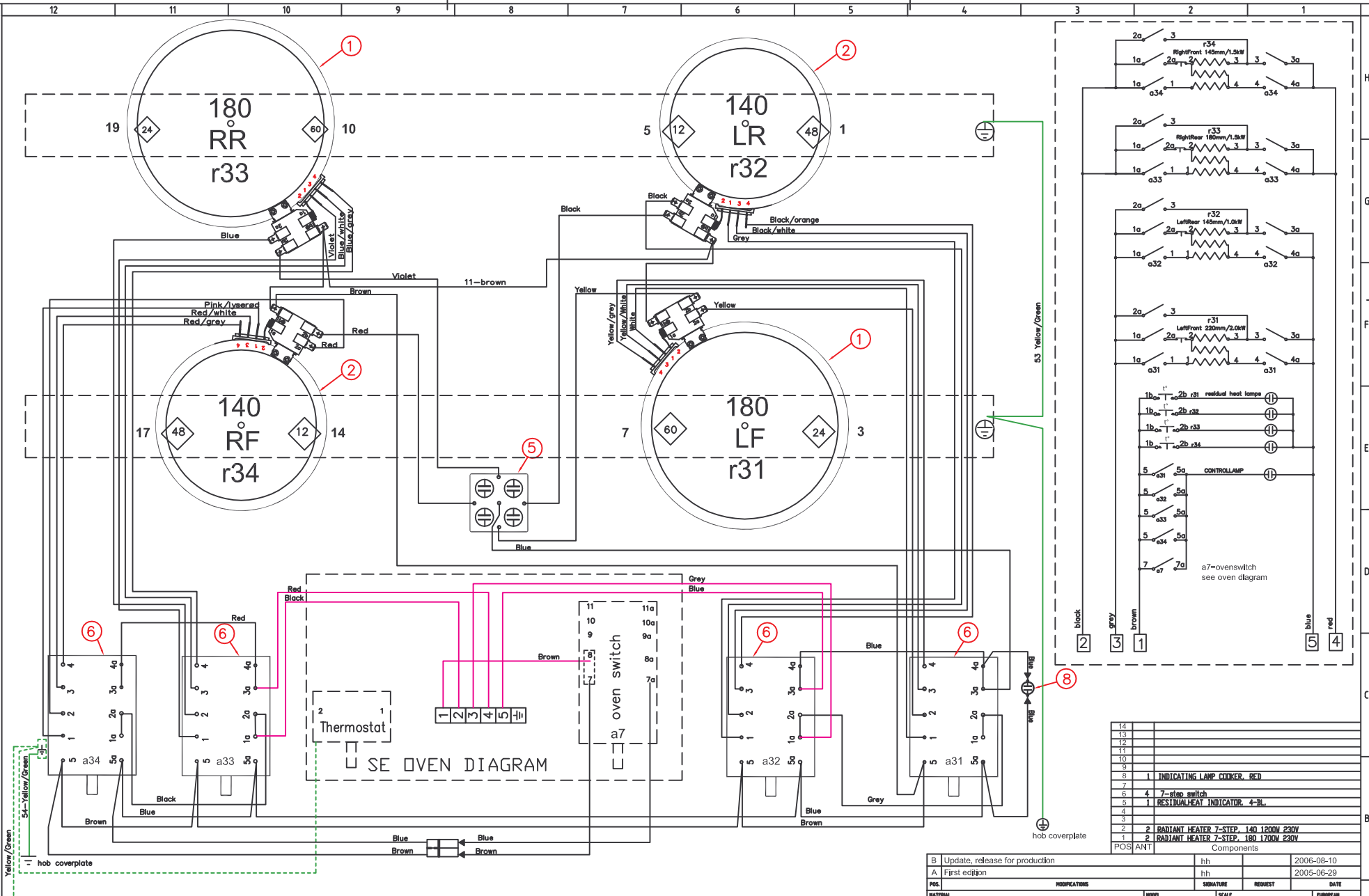


The drawing contains confidential information and is the property of Electrolux. Without whose permission it may not be copied, shown or handed to a third party. Any use of this drawing without the express written consent upon request to the design owner, who is responsible for this drawing.

Items shown in this drawing must not contain substances that are banned according to Directive 2002/95/EC, the RoHS Directive (Lead, Cadmium, Mercury, Hexavalent Chromium, Polychlorinated Biphenyls and Polybrominated Biphenyls) or "Restrictive" according to the Electrolux Restricted Materials List.

GENERAL TOLERANCES
ANGLES
LENGTHS AND DIMENSIONS

A2 (DP03)



POS	ANT	Components
14		
13		
12		
11		
10		
9		
8	1	INDICATING LAMP COOKER, RED
7	4	7-step switch
6	4	RESIDUAL HEAT INDICATOR, 4-BL
5	1	RESIDUAL HEAT INDICATOR, 4-BL
4		
3		
2	2	RADIANT HEATER 7-STEP, 140 1200W 230V
1	2	RADIANT HEATER 7-STEP, 180 1700W 230V

FRONT SEEN FROM BOTTOM

B Update, release for production		hh	2006-08-10
A First edition		hh	2005-06-29
POS.	MODIFICATIONS	SIGNATURE	REQUEST
MATERIAL		MODEL	SCALE
TREATMENT		DESIGN USERS	REPLACES
DESIGN OWNER		MENTOR	DERIVED FROM
DATE 2005-06-29	APP.	CONCEPT 3D	SUPPLY SPECIFICATIONS
DATE 2005-06-29		APP.	EXACT 3D
TITLE		Wiring hob assembly	
Electrolux		NUMBER	349 7111 01
VARIANT NUMBER		REPLACED NUMBER	POS.
MODEL		DESIGN USERS	CHANGES FROM THE BASE NUMBER
REV		SHEET	