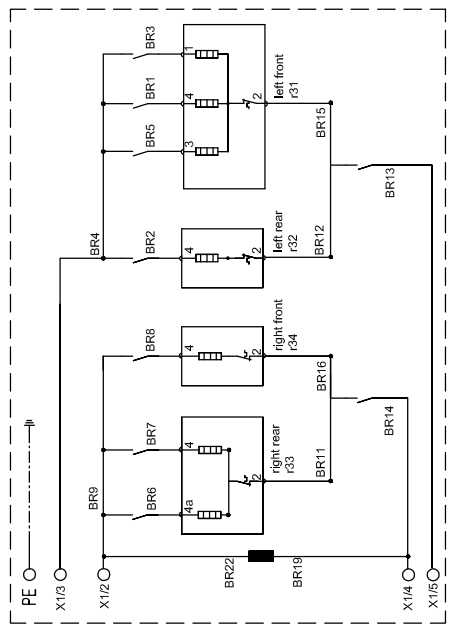
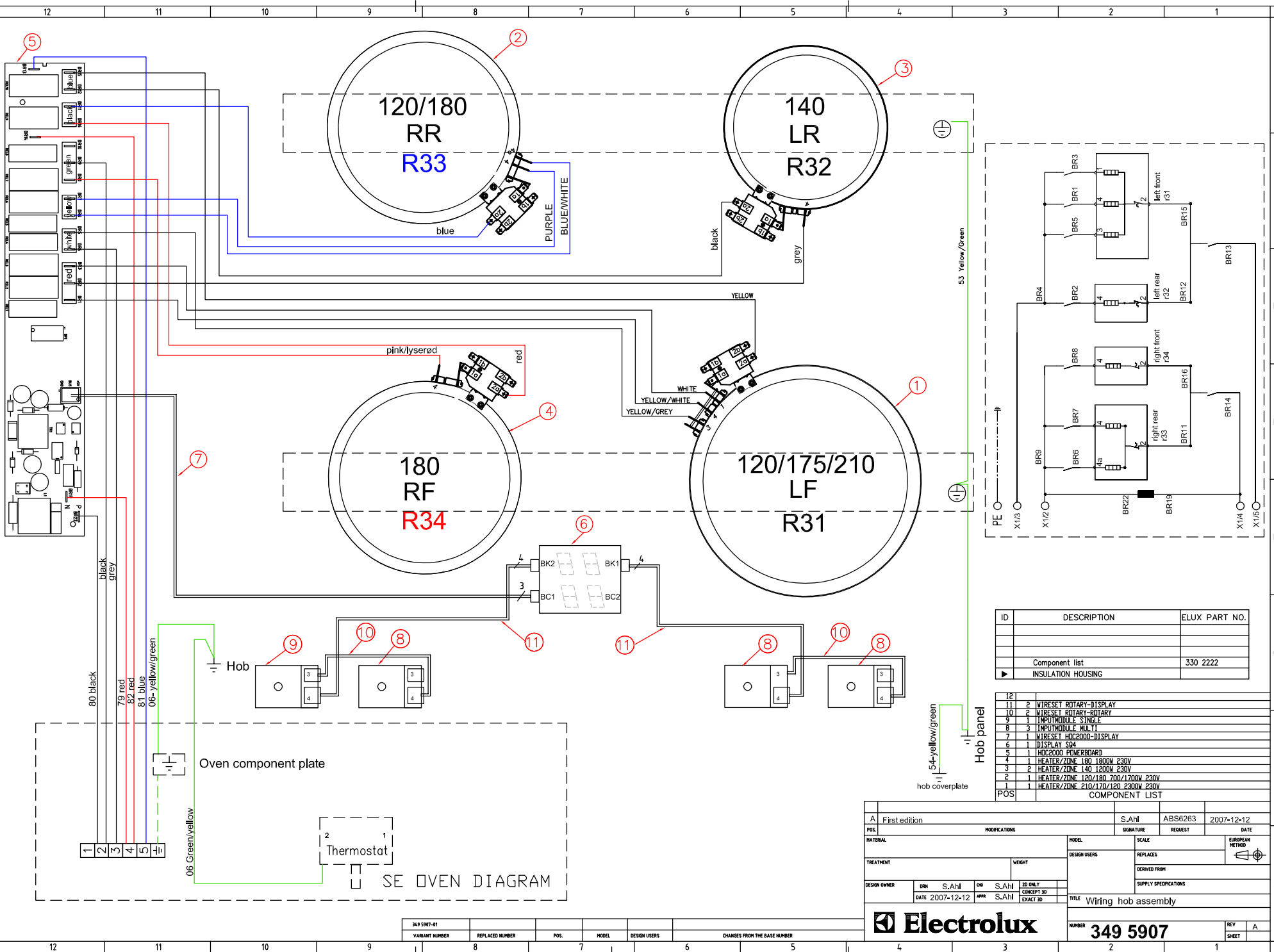


This drawing contains confidential information and is the property of Electrolux. Without whose permission it may not be copied, shown or handed to a third party. If you are not an authorized employee of Electrolux, please inform the person who provided you with this drawing upon request to the design owner, who is responsible for the drawing.

Items shown in this drawing must not contain substances that are banned according to Directive 2002/95/EC, the RoHS Directive (Lead, Cadmium, Mercury, Hexavalent Chromium, Polychlorinated Biphenyls, Polybrominated Biphenyls) or "Restrictive" according to the Electrolux Restricted Materials List.

GENERAL DIMENSIONS
UNITS
LENGTHS AND DIAMETERS



ID	DESCRIPTION	ELUX PART NO.
Component list		330 2222
INSULATION HOUSING		

POS	QTY	DESCRIPTION	ELUX PART NO.
12	1	WIRESET ROTARY-DISPLAY	
11	2	WIRESET ROTARY-ROTARY	
10	2	INPUTMODULE SINGLE	
9	1	INPUTMODULE SINGLE	
8	3	INPUTMODULE MULTI	
7	1	WIRESET HOC2000-DISPLAY	
6	1	DISPLAY SH4	
5	1	HOC2000 POWERBOARD	
4	1	HEATER/ZINE 180 1800W 230V	
3	2	HEATER/ZINE 140 1200W 230V	
2	1	HEATER/ZINE 120/180 700/1700W 230V	
1	1	HEATER/ZINE 210/170/120 2300W 230V	

COMPLEMENT LIST			
POS	QTY	DESCRIPTION	ELUX PART NO.
A	1	First edition	S.A.H. ABS6263 2007-12-12
MATERIAL		MODIFICATIONS	SCALE
TREATMENT		DESIGN USERS	REPLACES
DESIGN OWNER		WEIGHT	DERIVED FROM
DATE 2007-12-12		CONCEPT 3D	SUPPLY SPECIFICATIONS
DATE 2007-12-12		EXACT 3D	TITLE
			Wiring hob assembly
			NUMBER 349 5907
			REV A
			SHEET

349 5907-01	REPLACED NUMBER	POS.	MODEL	DESIGN USERS	CHANGES FROM THE BASE NUMBER
VARIANT NUMBER					

