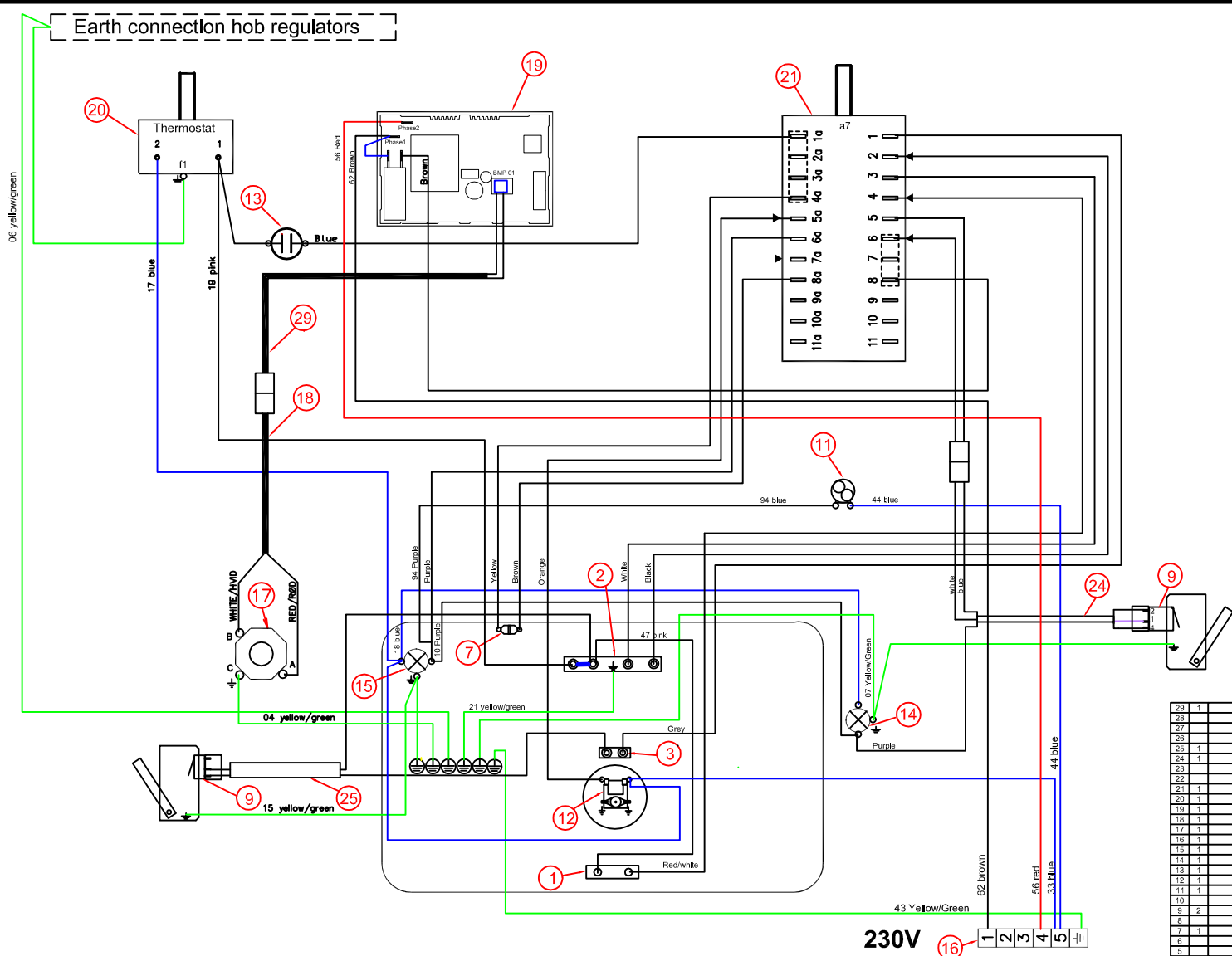
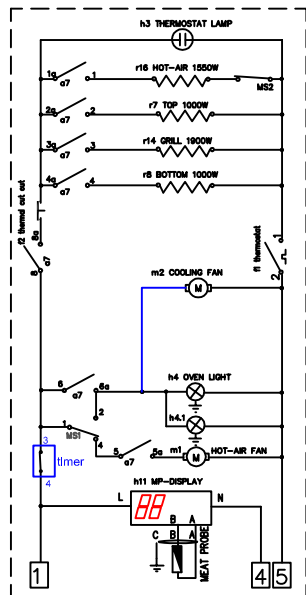


This drawing contains confidential information and is the property of Electrolux, without whose permission it shall not be reproduced, stored in a retrieval system or otherwise used and it is to be returned immediately upon request to the design owner, who is responsible for the drawing.

Items shown in this drawing must not contain substances that are banned according to Directive 2002/95/EC, the RoHS Directive. Common Name: Hazardous Substances. Abbreviation: RoHS. This drawing is a "Drawing" or "Restrictive" according to the Electrolux Restricted Materials List.



29	1	Wiring meat probe-timer
28		
27		
26		
25	1	Wiring door switch
24	1	Wiring door switch
23		
22		
21	1	Main oven selector
20	1	Thermostat main oven
19	1	Timer / Display
18	1	Wiring meat probe socket
17	1	Meat probe socket
16	1	Main terminal
15	1	Oven lamp rear
14	1	Oven lamp side
13	1	Control lamp
12	1	Hot air motor
11	1	Cooling fan
10		
9	2	Micro switch
8		
7	1	Thermostat safety
6		
5		
4		
3	1	Heating element (top)
2	1	Heating element top
1	1	Heating element bottom
Pos. No.		Components

ID	Description	Elux part No.
18	Wiring meat prob socket	349 5794-01
21	Wiring oven harness	349 5884-04
24	Wiring door switch	349 5849-01
25	Wiring door switch	349 4194-01
29	Wiring meat prob timer	349 5795-01
	List of crimp contacts	330 1766
	Component list	330 2222
	Insulation house	330 4175

A First edition		S.Ah	ABS 6293	2007-12-19
POS.	MODIFICATIONS	SIGNATURE	REQUEST	DATE
MATERIAL	WEIGHT	DESIGN USERS	REPLACES	EUROPEAN METHOD
TREATMENT			DERIVED FROM	
DESIGN OWNER	DATE 2007-12-19	DATE 2007-12-19	TITLE	SUPPLY SPECIFICATIONS
Wiring oven assembly Induction				
Electrolux			NUMBER	349 5883
			REV	A
			SHEET	

349 5883-02									
VARIANT NUMBER	REPLACED NUMBER	POS.	MODEL	DESIGN USERS	CHANGES FROM THE BASE NUMBER				