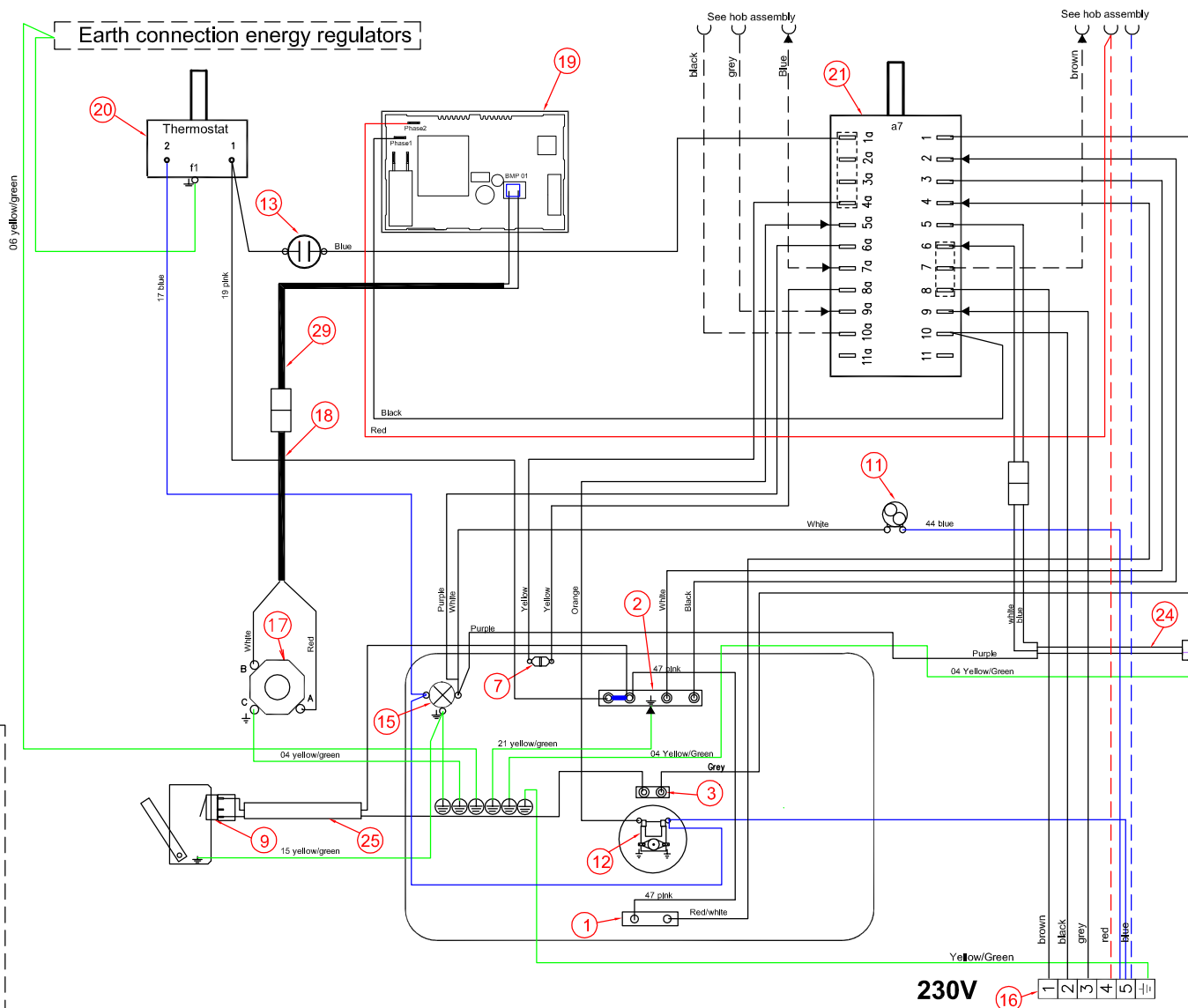
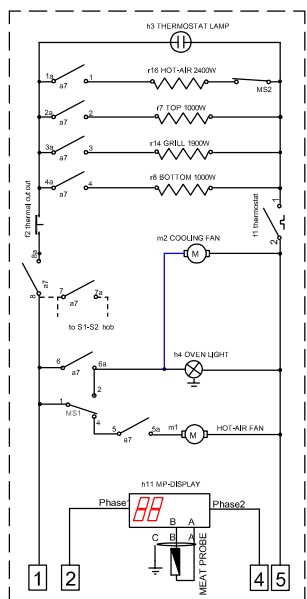


This drawing contains confidential information and is the property of Electrolux, without whose permission it may not be reproduced, stored in a retrieval system or otherwise used and it is to be returned immediately upon request to the design owner, who is responsible for the drawing.

Items shown in this drawing must not contain substances that are banned according to Directive 2002/95/EC, the RoHS Directive. Component, material, process, or substance names must be checked against the RoHS Directive Annexes and the "Banned" or "Restricted" according to the Electrolux Restricted Materials List.



29	1	Wireset MP timer
28	-	
27	-	
26	-	
25	1	WIRESSET DOORSWITCH hot air element
24	1	WIRESSET DOORSWITCH
23	-	
22	-	
21	1	Main switch/ oven function
20	1	THERMOSTAT
19	1	MEAT PROBE DISPLAY
18	1	Wireset MP socket
17	1	JACK PLUG
16	1	TERMINAL STRIP 6 POLS. SNAP
15	1	OVENLAMP TOP
14	-	
13	1	THERMOSTAT LAMP
12	1	FANMOTOR HOTAIR OVEN
11	1	COOLING FAN
10	-	
9	2	MICROSWITCH FAN/LIGHT
8	-	
7	1	THERMAL CUT OUT
6	-	
5	-	
4	-	
3	1	HEATINGELE. HOTAIR 2400W
2	1	HEATINGELE. TOP. 1000/1900W
1	1	HEATINGELE. LOWER 1000W

POS ANT GENSTAND

ID	Description	Elux part No.
18	Wiring meat prob socket	349 5894-01
21	Wiring oven harness	349 4179-04
24	Wiring door switch	349 5849-01
25	Wiring door switch	349 4194-01
29	Wiring meat prob timer	349 5895-01
	List of crimp contacts	330 1766
	Component list	330 2222
	Insulation house	330 4175

A First edition		S.A.H	ABS6263	2007-12-05
POS	MODIFICATIONS	SIGNATURE	REQUEST	DATE
MATERIAL	WEIGHT	DESIGN USERS	REPLACES	EUROPEAN METHOD
TREATMENT	DERIVED FROM	SUPPLY SPECIFICATIONS		
DESIGN OWNER	DATE 2007-12-05	TITLE	Wiring oven assembly	
		NUMBER	349 5851	
VARIANT NUMBER		REPLACED NUMBER	POS	MODEL
DESIGN USERS		CHANGES FROM THE BASE NUMBER		
REV	A			SHEET