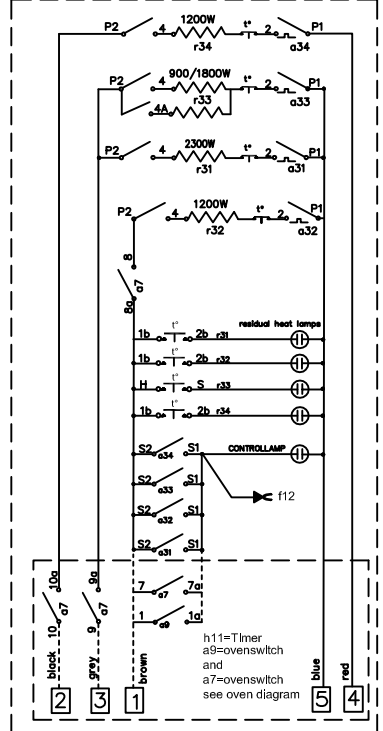
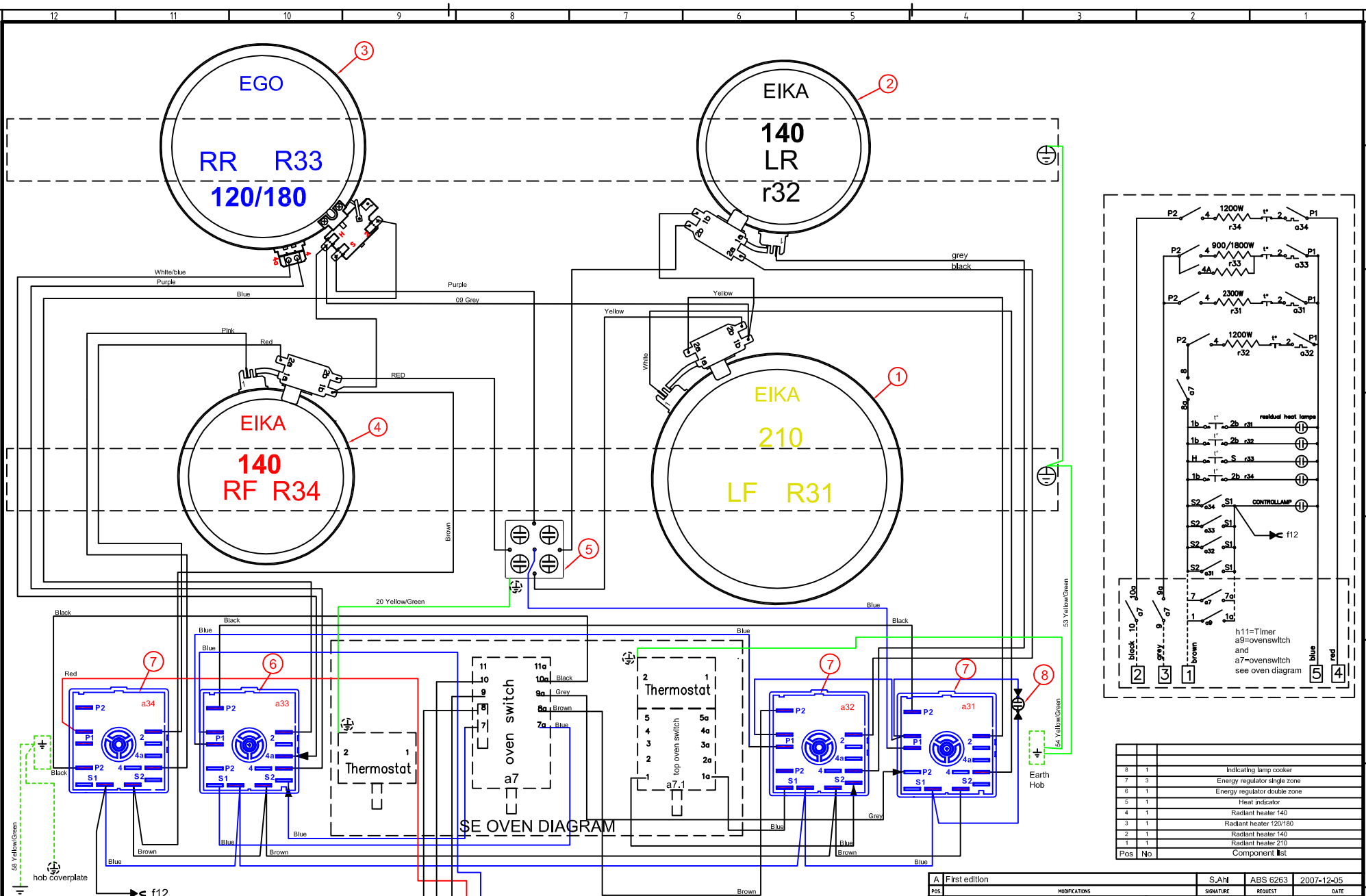


This drawing contains confidential information and is the property of Electrolux. Without whose permission it is not to be reproduced, stored in a retrieval system or otherwise used and it is to be returned to the party upon request to the design owner, who is responsible for the drawing.

Items shown in this drawing must not contain substances that are banned according to Directive 2002/95/EC, the RoHS Directive (Restriction of Hazardous Substances) and Directive 2006/66/EC, the Battery Directive (Restriction of Hazardous Substances) or "Restricted" according to the Electrolux Restricted Materials List.



Pos	No	Description
8	1	Indicating lamp cooker
7	3	Energy regulator single zone
6	1	Energy regulator double zone
5	1	Heat indicator
4	1	Radiant heater 140
3	1	Radiant heater 120/180
2	1	Radiant heater 140
1	1	Radiant heater 210
Pos	No	Component list

ID	DESCRIPTION	ELUX PART NO.
	Hob wiring cpl.	349 5150-05
	INSULATION HOUSING	330 4175
	LIST OF CRIMP CONTACTS	330 1766
	Component list	330 2222

HC60:6/HC70:6, 400V, flins
FRONT SEEN FROM BOTTOM

VARIANT NUMBER	REPLACED NUMBER	POS	MODEL	DESIGN USERS	CHANGES FROM THE BASE NUMBER
349 5838-01					

A First edition		S.A.H	ABS 6263	2007-12-05
POS	MODIFICATIONS	SIGNATURE	REQUEST	DATE
MATERIAL	SCALE	DESIGN USERS	REPLACES	EUROPEAN METHOD
TREATMENT	WEIGHT	DERIVED FROM	SUPPLY SPECIFICATIONS	
DESIGN OWNER	DATE 2007-12-05	TITLE	Wiring hob assembly	
Electrolux		NUMBER	349 5838	
		REVISION	A	