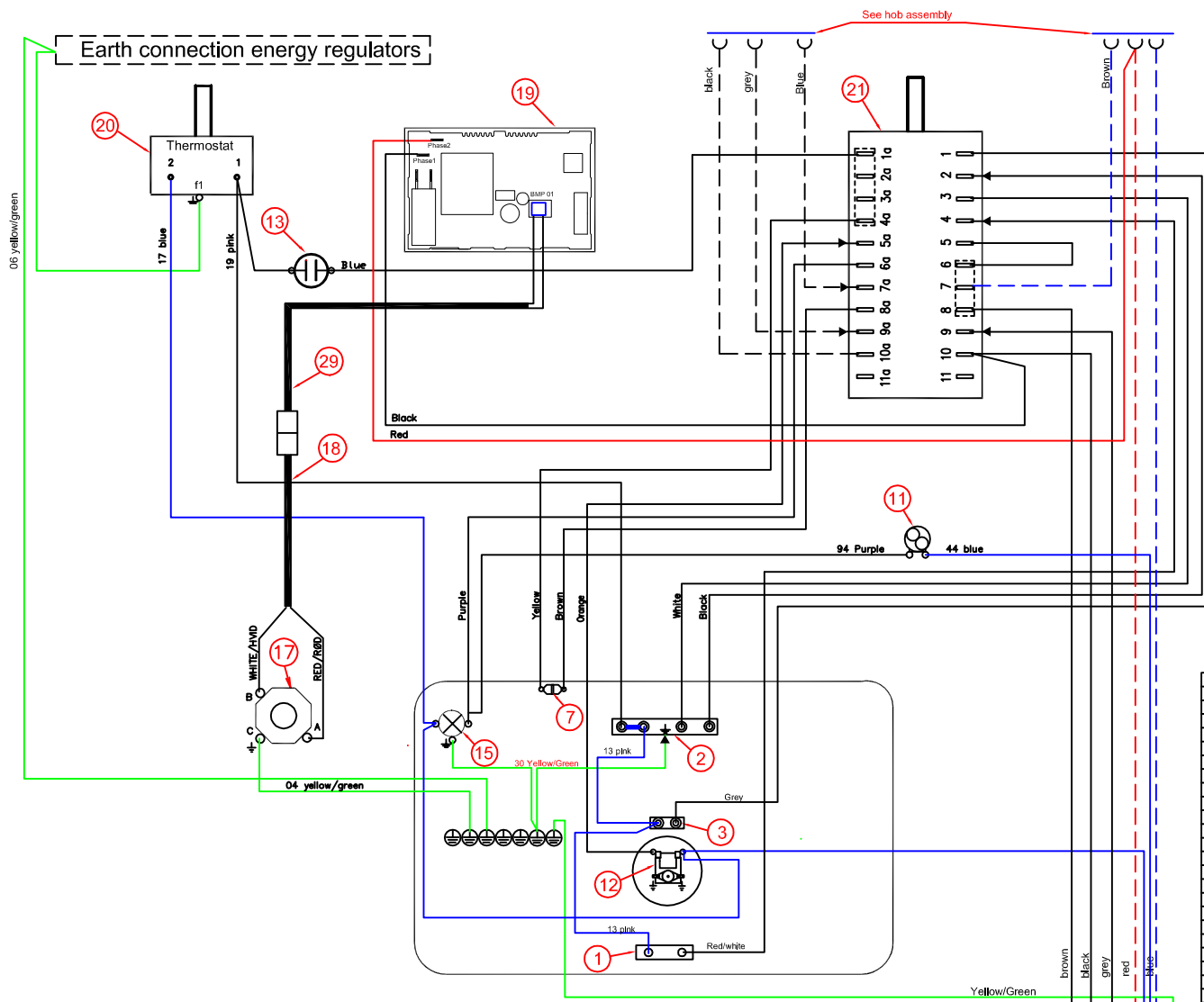
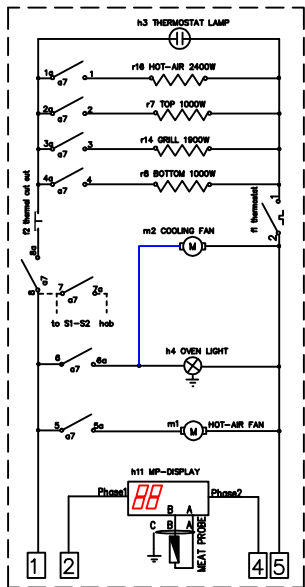


This drawing contains confidential information and is the property of Electrolux, without whose permission it shall not be reproduced, stored in a retrieval system or otherwise used and it is to be returned to the design owner upon request to the design owner, who is responsible for the drawing.

Items shown in this drawing must not contain substances that are banned according to Directive 2002/95/EC, the RoHS Directive. Common Name: Hazardous Substances. Part Name: Ovens. RoHS Exemption Code: "Banned" or "Restricted" according to the Electrolux Restricted Materials List.



ID	Description	Elux part No.
18	Wiring meat probe socket	349 5894-01
21	Wiring oven harness	349 5831-04
29	Wiring meat probe timer	349 5895-01
	List of crimp contacts	330 1766
	Component list	330 2222
	Insulation house	330 4175

Pos	No	Components
29	1	Wiring meat probe timer
28		
27		
26		
25		
24		
23		
22		
21	1	Main oven selector
20	1	Thermostat main oven
19	1	Timer / Display
18	1	Wiring meat probe socket
17	1	Meat probe socket
16	1	Main terminal
15	1	Oven lamp rear
14		
13	1	Control lamp
12	1	Hot air motor
11	1	Cooling fan
10		
9		
8		
7	1	Thermostat safety
6		
5		
4		
3	1	Heating element ring
2	1	Heating element top
1	1	Heating element bottom

A First edition		S.Ah	ABS6293	2007-12-07
POS	MODIFICATIONS	SIGNATURE	REQUEST	DATE
MATERIAL	WEIGHT	DESIGN USERS	REPLACES	EUROPEAN METHOD
TREATMENT			DERIVED FROM	
DESIGN OWNER	DRN S.Ah	OP S.Ah	EDUBLY RECEIVED BY	SUPPLY SPECIFICATIONS
	DATE 2007-12-07	APP S.Ah	EXEMPTED BY	
TITLE				Wiring oven assembly
			NUMBER	349 5830
			REV	A
			SHEET	

349 5830-02									
VARIANT NUMBER	REPLACED NUMBER	POS	MODEL	DESIGN USERS	CHANGES FROM THE BASE NUMBER				