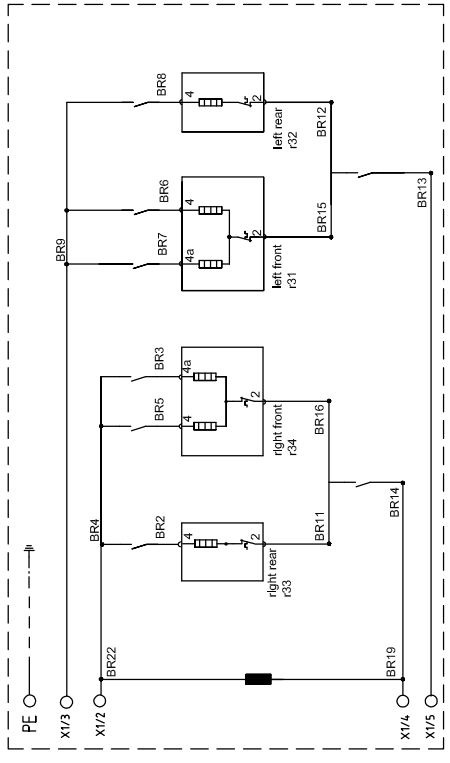
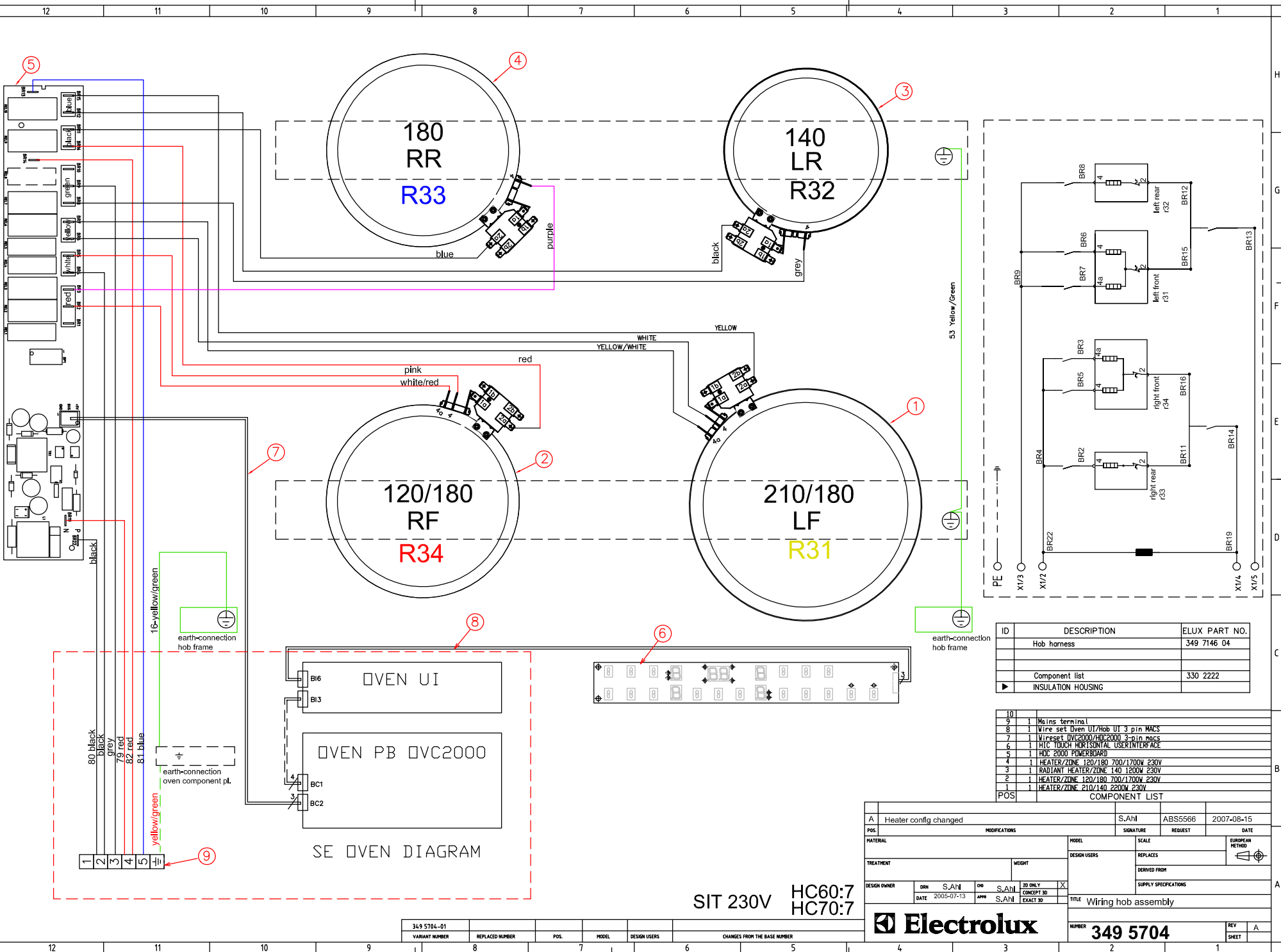


This drawing contains confidential information and is the property of Electrolux, without whose permission it shall not be reproduced, stored in a retrieval system or otherwise used and it is to be returned immediately upon request to the design owner, who is responsible for the drawing.

Items shown in this drawing must not contain substances that are banned according to Directive 2002/95/EC, the RoHS Directive, and Directive 2002/46/EC, the Low Voltage Directive, unless they are necessary for the operation of the product. The design owner is responsible for ensuring that the product is RoHS compliant. The design owner is also responsible for ensuring that the product is RoHS compliant. The design owner is also responsible for ensuring that the product is RoHS compliant.

GENERAL INSTRUCTIONS  
 UNITS AND DIMENSIONS  
 A2 IDF31



ID	DESCRIPTION	ELUX PART NO.
	Hob harness	349 7146 04
	Component list	330 2222
	INSULATION HOUSING	

QTY	DESCRIPTION
1	Mains terminal
1	Wire set Dven UI/Hob UI 3 pin MACS
1	Wire set DVC2000/HDC2000 3-pin macs
1	HIC TOUCH HORIZONTAL USERINTERFACE
1	HIC 2000 PCB (REAR)
1	HEATER/ZINE 120/180 700/1700W 230V
1	RADIANT HEATER/ZINE 140 1200W 230V
1	HEATER/ZINE 120/180 700/1700W 230V
1	HEATER/ZINE 210/140 2200W 230V

POS	DESCRIPTION	DATE
A	Heater config changed	2007-08-15

DESIGN OWNER		DATE		DATE		DATE	
DN	S.A.H	DN	S.A.H	DN	S.A.H	DN	S.A.H
DATE	2005-07-13	APP	S.A.H	CONCEPT 3D	EXACT 3D	TITLE	Wiring hob assembly
MATERIAL				MODEL		SCALE	
TREATMENT				DESIGN USERS		REPLACES	
WEIGHT				DERIVED FROM		SUPPLY SPECIFICATIONS	
ELECTROLUX				NUMBER		REV	
349 5704				349 5704		A	

349 5704-01	REPLACED NUMBER	POS.	MODEL	DESIGN USERS	CHANGES FROM THE BASE NUMBER

SIT 230V HC60:7  
 HC70:7

SE OVEN DIAGRAM