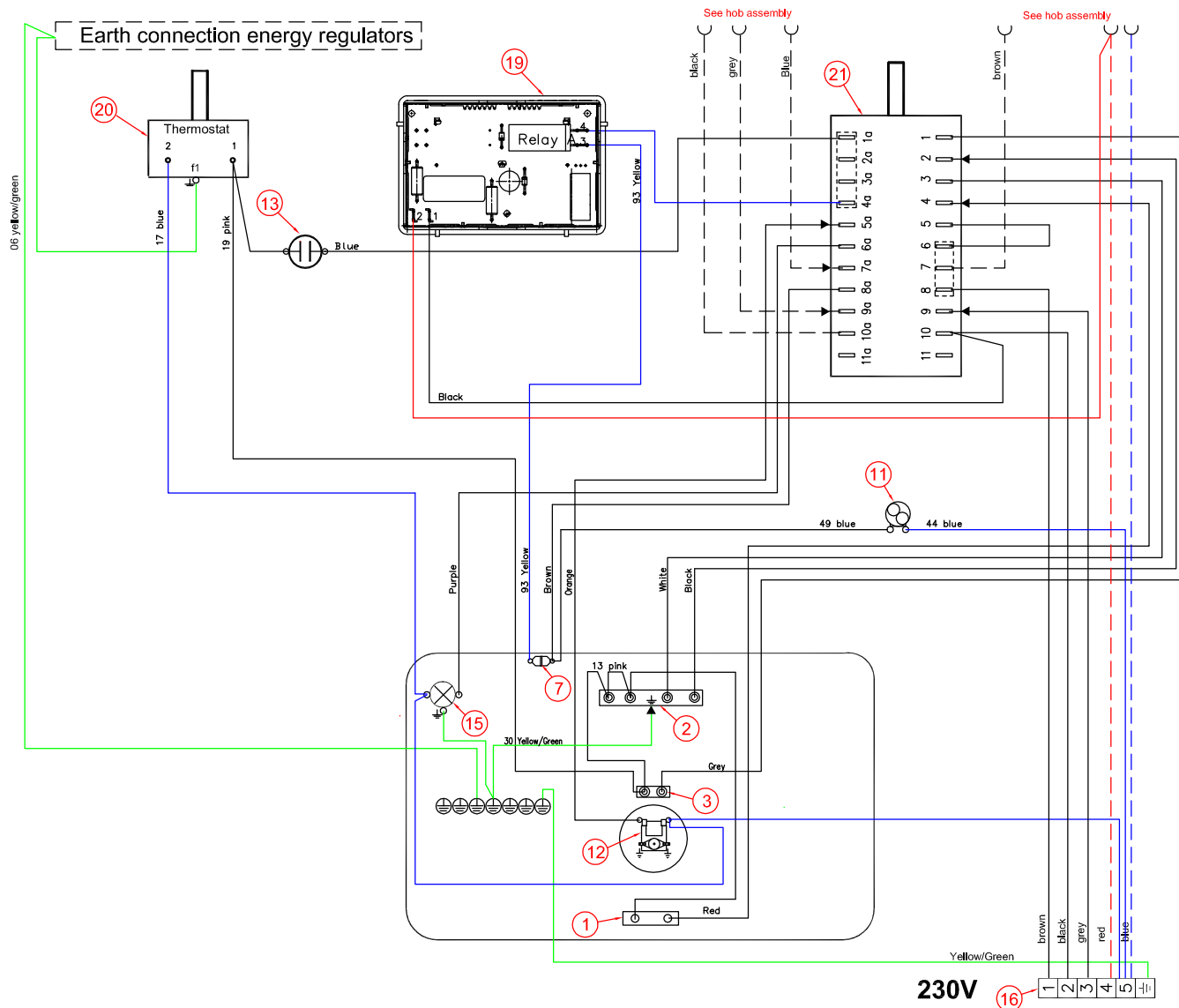
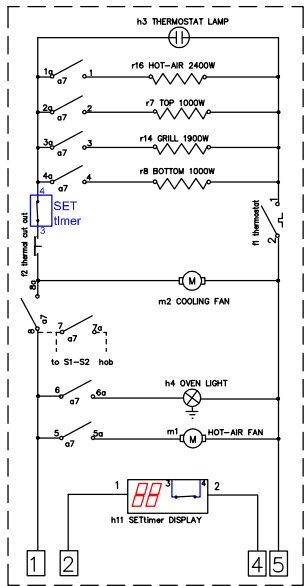


This drawing contains confidential information and is the property of Electrolux. Without whose permission it may not be copied, shown or handed to a third party. Any use, reproduction or distribution of this drawing without the written request of the design owner, who is responsible for the drawing.

Items shown in this drawing must not contain substances that are banned according to Directive 2002/95/EC, the RoHS Directive (Lead, Cadmium, Mercury, Hexavalent Chromium, Polychlorinated Biphenyls and Polybrominated Biphenyls) or "Restrictive" according to the Electrolux Restricted Materials List.



Pos No	Components
29	1 Wireset MP timer
28	-
27	-
26	-
25	-
24	-
23	-
22	-
21	1 Function switch/ Main switch
20	1 Thermostat oven
19	1 SET timer display
18	-
17	-
16	1 Main terminal 6 Pole snap in
15	1 Oven lamp back panel
14	-
13	1 Control Lamp oven
12	1 Fan Motor Hot Air Oven
11	1 Cooling Fan
10	-
9	-
8	-
7	1 Thermal cut out
6	-
5	-
4	-
3	1 Heating element hot air
2	1 Heating element top
1	1 Heating element lower

ID	DESCRIPTION	ELUX PART NO.
	Oven selector wiring	349 5699-04
▶	INSULATION HOUSING	
	LIST OF CRIMP CONTACTS	330 1766
	Component list	330 2222

VARIANT NUMBER	REPLACED NUMBER	POS.	MODEL	DESIGN USERS	CHANGES FROM THE BASE NUMBER
349 5698-02					

A First editlon		S.Ah	ABS5548	2007-07-20
POS.	MODIFICATIONS	SIGNATURE	REQUEST	DATE
MATERIAL	SCALE	DESIGN USERS	REPLACES	EUROPEAN METHOD
TREATMENT	WEIGHT	DERIVED FROM	SUPPLY SPECIFICATIONS	
DESIGN OWNER	DATE	TITLE	Wiring oven assembly	
		NUMBER	349 5698	REV A
				DIRECT

GENERAL DIMENSIONS ANGLES LENGTHS AND DIAMETERS