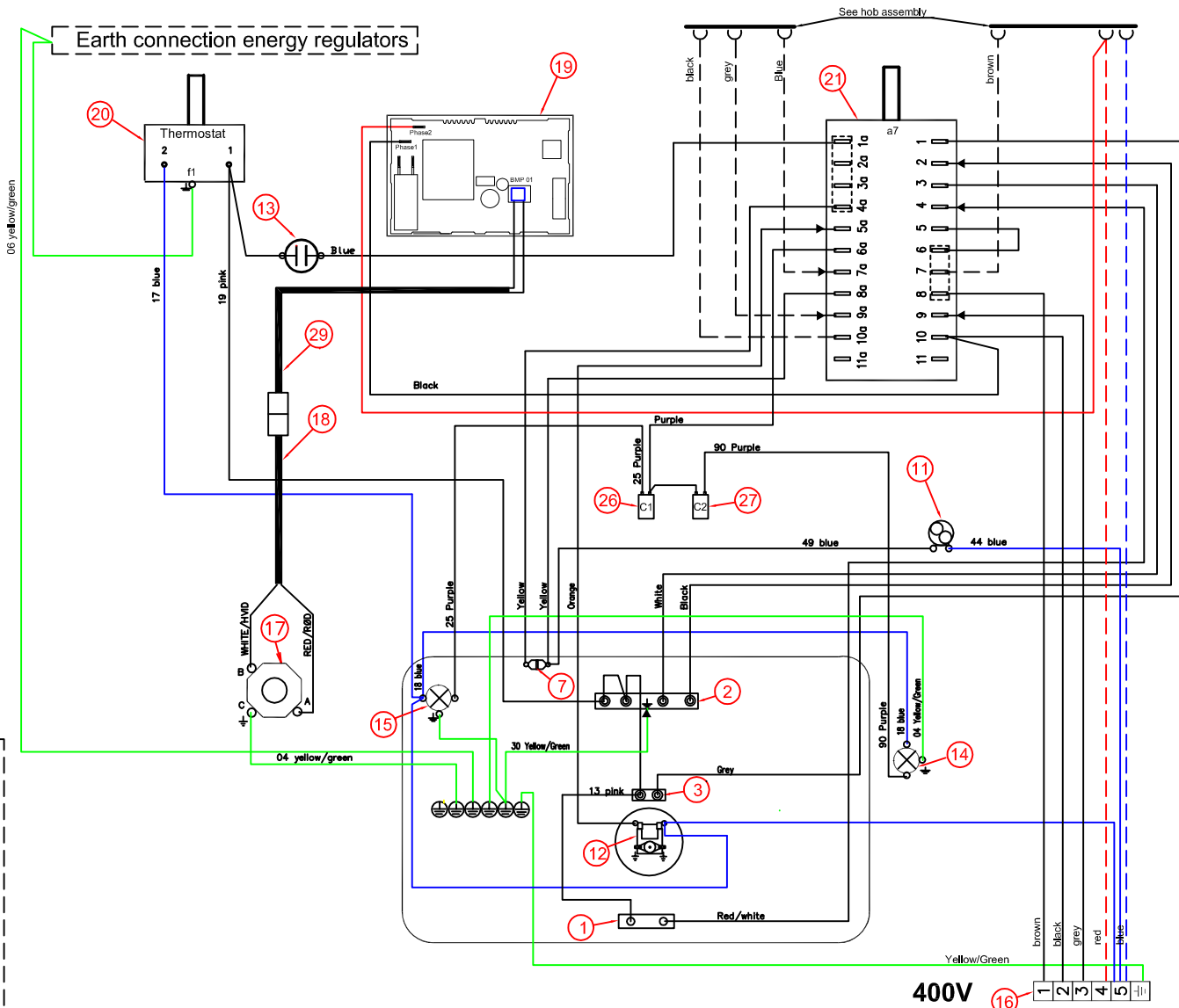
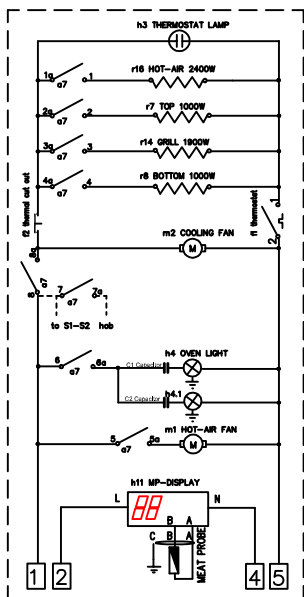


This drawing contains confidential information and is the property of Electrolux, without whose permission it may not be reproduced, stored in a retrieval system or otherwise used and it is to be returned to the design owner upon request to the design owner, who is responsible for the drawing.

Items shown in this drawing must not contain substances that are banned according to Directive 2002/95/EC, the RoHS Directive, and Commission Decision 2005/618/EC. The RoHS substances are: Lead (Pb), Hexavalent Chromium (Cr VI), Polychlorinated Biphenyls (PCB) and Polycyclic Aromatic Hydrocarbons (PAHs). The substances are to be identified by their "Banned" or "Restricted" according to the Electrolux Restricted Materials List.



29	1	Wireset MP tiner
28	-	
27	1	Capacitor oven lamp 25W
26	1	Capacitor oven lamp 40W
25	-	
24	-	
23	-	
22	-	
21	1	Main switch/ oven function
20	1	THERMOSTAT
19	1	HEATPROBE DISPLAY
18	1	Wireset MP socket
17	1	JACK SOCKET
16	1	TERMINAL STRIP 6 PINS, SWP
15	1	OVEN LAMP TIP
14	1	OVEN LAMP STRIP
13	1	THERMOSTAT LAMP
12	1	FRANKEKOR HITAIROVEN
11	1	COILING FAN
10	-	
9	-	
8	-	
7	1	THERMAL CUT OUT
6	-	
5	-	
4	-	
3	1	HEATINGELEMENT 2400W
2	1	HEATINGELEMENT 1000/1500W
1	1	HEATINGELEMENT LOWER LOOP

ID	DESCRIPTION	ELUX PART NO.
	Oven selector wiring	349 5689
	INSULATION HOUSING	
	LIST OF CRIMP CONTACTS	330 1766
	Component list	330 2222

349 5689-02									
VARIANT NUMBER	REPLACED NUMBER	POS.	MODEL	DESIGN USERS	CHANGES FROM THE BASE NUMBER				

A First edition		IAN	ABS 5481	2007-06-26
POS.	MODIFICATIONS	SIGNATURE	REQUEST	DATE
MATERIAL	SCALE	DESIGN USERS	REPLACES	EUROPEAN METHOD
TREATMENT	WEIGHT	DESIGNED FROM	DERIVED FROM	
DESIGN OWNER	DATE	APPR.	REVIEWER	SUPPLY SPECIFICATIONS
				349 5688