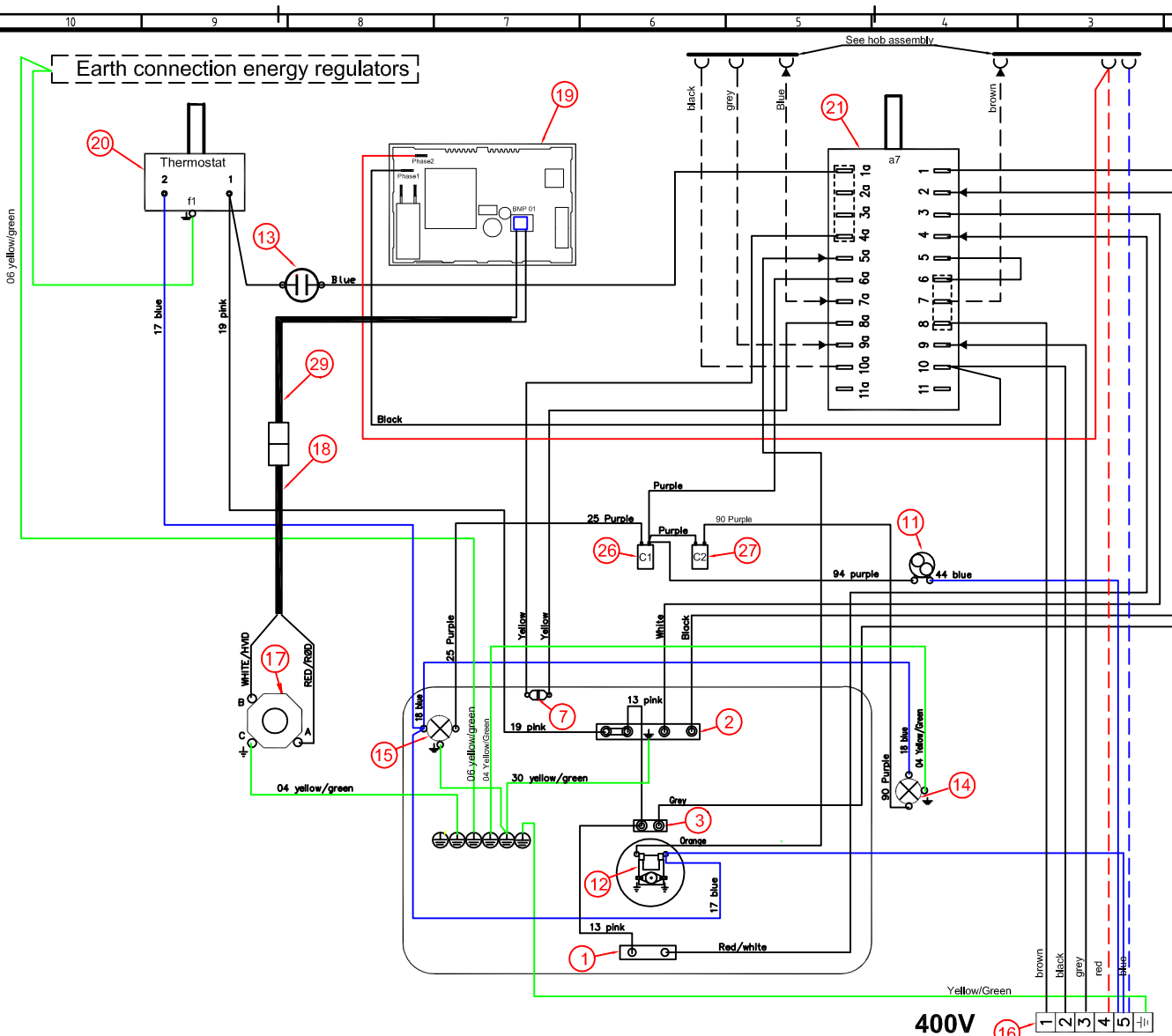
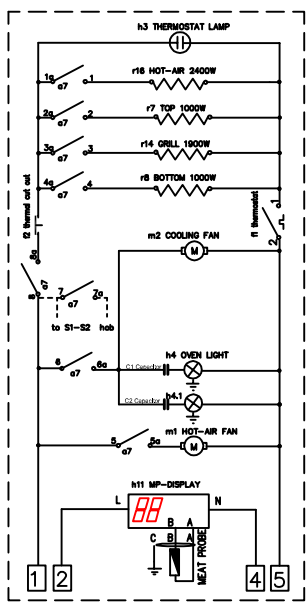


This drawing contains confidential information and is the property of Electrolux, without whose permission it shall not be reproduced, stored in a retrieval system or otherwise used and it is to be returned immediately upon request to the design owner, who is responsible for the drawing.

Items shown in this drawing must not contain substances that are banned according to Directive 2002/95/EC, (RoHS) and Directive 2006/66/EC, (Battery Directive). The design, PCB and BOM shall be checked for compliance with the RoHS and Battery Directive. Components shall be "Banned" or "Restricted" according to the Electrolux Restricted Materials List.



29	1	Wireset NP timer
28	-	
27	1	Capacitor oven lamp 25W
26	1	Capacitor oven lamp 40W
25	-	
24	-	
23	-	
22	-	
21	1	Main switch/ oven function
20	1	THERMOSTAT
19	1	HEATINGPROBE DISPLAY
18	1	Wireset NP socket
17	1	JACK SOCKET
16	1	TERMINAL STRIP 6 PINS, SNAP
15	1	OVEN LAMP TIP
14	1	Oven lamp side
13	1	THERMOSTAT LAMP
12	1	FAN MOTOR HOT AIR OVEN
11	1	COOLING FAN
10	-	
9	-	
8	-	
7	1	THERMAL CUT OUT
6	-	
5	-	
4	-	
3	1	HEATINGELE. HITAIR 2400W
2	1	HEATINGELE. TIP 1000/1900W
1	1	HEATINGELE. LOWER 1000W

POS/No Note

ID	DESCRIPTION	ELUX PART NO.
21	Oven selector wiring	349 5686
	INSULATION HOUSING	
	LIST OF CRIMP CONTACTS	330 1766
	Component list	330 2222

349 5685-02			400V		
VARIANT NUMBER	REPLACED NUMBER	POS.	MODEL	DESIGN USERS	CHANGES FROM THE BASE NUMBER

B Correction wiring to cooling fan, 94 purple		IAN	ABS 6285	2007.11.06
A First edition		IAN	ABS 5481	2007-06-26
POS.	MODIFICATIONS	SIGNATURE	REQUEST	DATE
MATERIAL	SCALE	DESIGN USERS	REPLACES	EUROPEAN METHOD
TREATMENT	WEIGHT	DESIGN USERS	DERIVED FROM	
DESIGN OWNER	DATE	APPR.	SUPPLY SPECIFICATIONS	
Electrolux		TITLE Wiring oven assembly		
349 5685		REVISION SHEET		