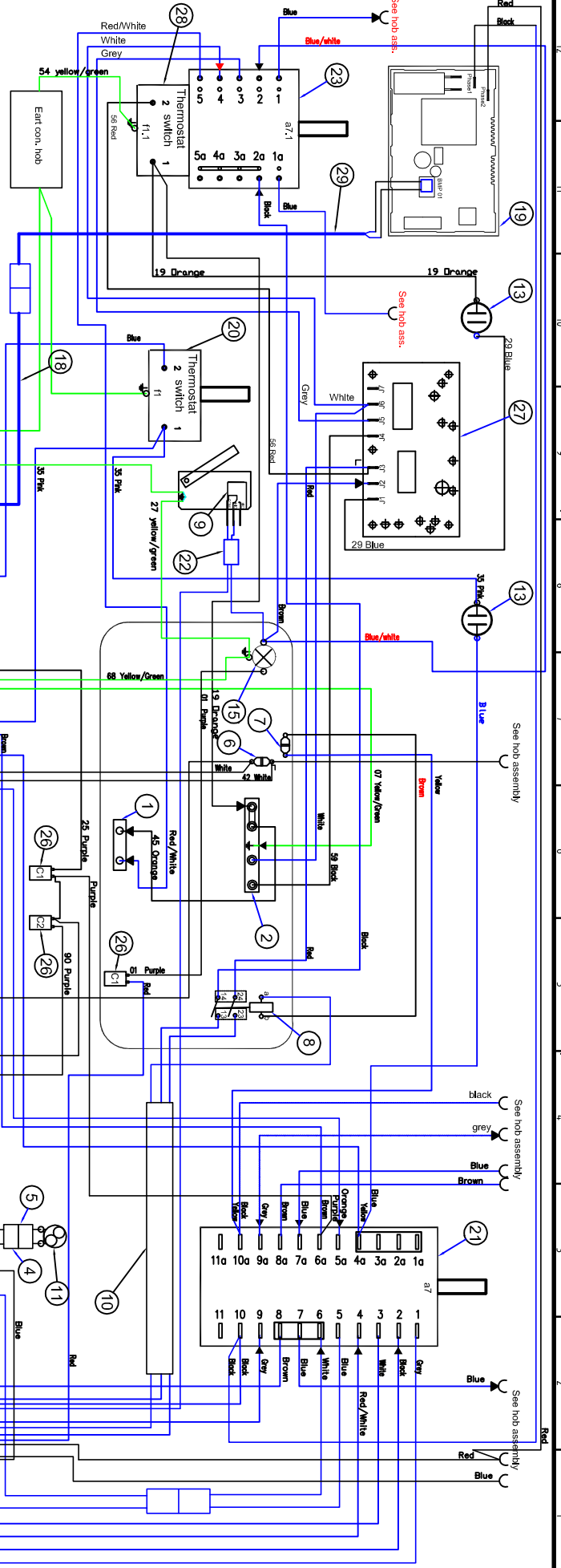
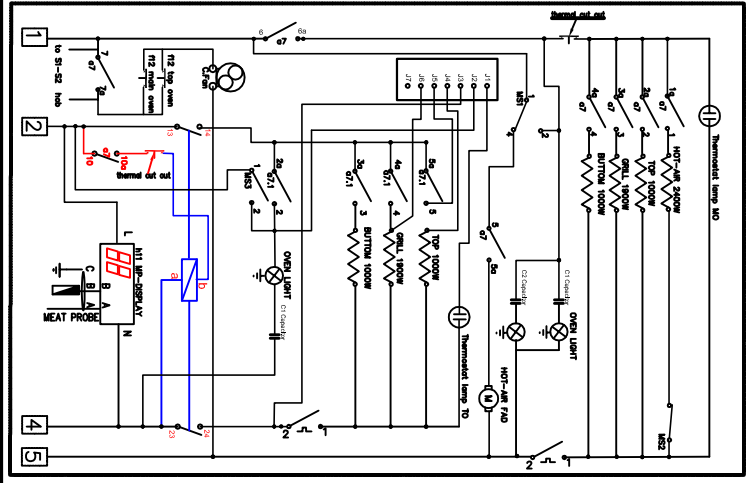


GENERAL TOLERANCES
ANGLES
LENGTHS AND DIAMETERS

Items shown in this drawing must not contain substances that are banned according to Directive, 2002/95/EC, the RoHS Directive (Lead, Cadmium, Mercury, hexavalent Chromium, PBB and PBBI), or substances classified as "Banned" or "Restricted" according to the Electrolux Restricted Materials List.

This drawing contains confidential information and is the property of Electrolux, without whose permission it may not be copied, shown or handed to a third party or otherwise used and it is to be returned promptly upon request to the design owner, who is responsible for the drawing.



ID	Description	Elux part No.
18	Wiring meat probe socket	349 5894-01
21	Wiring oven harness	349 5844-04
22	Wiring door switch	3495058-01
23	Wiring TO harness	349 5088-04
24	Wiring door switch	349 5340-01
25	Wiring door switch	349 4194-01
29	Wiring meat probe timer	349 5895-02
	List of crimp contacts	330 1766
	Component list	330 2222
	Insulation house	330 4175

400V

Correction wiring to lamp-capacitor WirePos 42

DESIGN OWNER	DATE	DATE	DATE
2007-06-20	2007-06-20	2007-06-20	2007-06-20

Electrolux

349 5666

POS No	Component
29	Wirecrimp per timer
28	Thermostat 200 oven
27	Power board outlet stick
26	Resistor oven lamp
25	Resistor oven lamp
24	Wirecrimp door switch
23	Wirecrimp door switch
22	Wirecrimp door switch
21	Wirecrimp door switch
20	Thermostat main oven
19	Thermostat main oven
18	Thermostat main oven
17	Jack plug
16	Overtemp side
15	Overtemp side
14	Overtemp side
13	Overtemp side
12	Overtemp side
11	Overtemp side
10	Overtemp side
9	Overtemp side
8	Overtemp side
7	Overtemp side
6	Overtemp side
5	Overtemp side
4	Overtemp side
3	Overtemp side
2	Overtemp side
1	Overtemp side