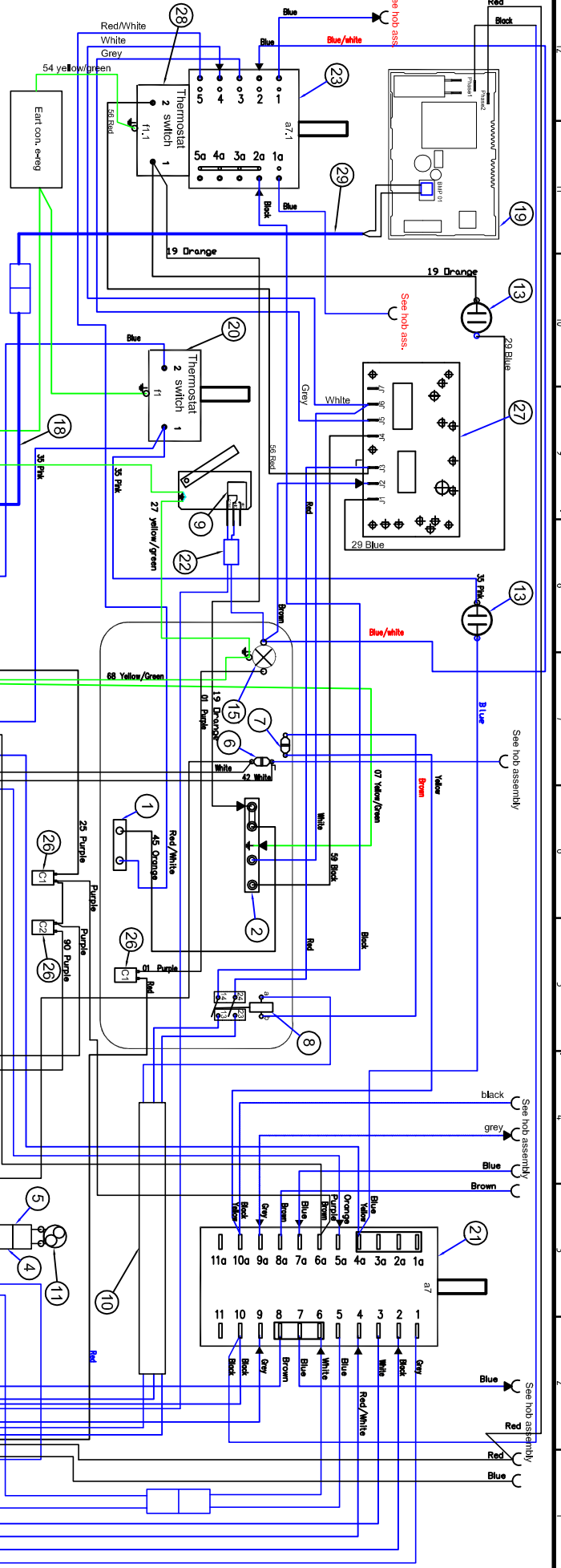
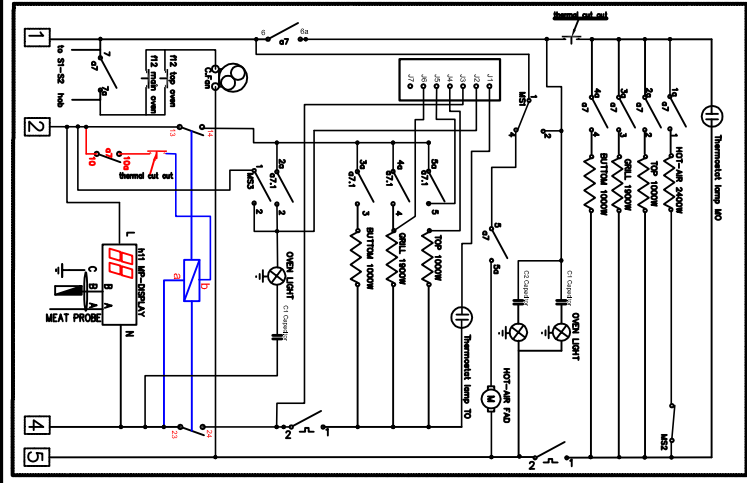


GENERAL TOLERANCES
ANGLES
LENGTHS AND DIAMETERS

Items shown in this drawing must not contain substances that are banned according to Directive, 2002/95/EC, the RoHS Directive (Lead, Cadmium, Mercury, hexavalent Chromium, PBB and PBDE), or substances classified as "Banned" or "Restricted" according to the Electrolux Restricted Materials List.

This drawing contains confidential information and is the property of Electrolux, without whose permission it may not be copied, shown or handed to a third party or otherwise used and it is to be returned promptly upon request to the design owner, who is responsible for the drawing.



ID	Description	Elux part No.
18	Wiring meat probe socket	349 5894-01
21	Wiring oven harness	349 5844-04
22	Wiring door switch	349 5858-01
23	Wiring TO harness	349 5808-04
24	Wiring door switch	349 5340-01
25	Wiring door switch	349 4194-01
29	Wiring meat probe timer	349 5895-02
	List of crimp contacts	330 1766
	Component list	330 2222
	Insulation house	330 4175

400V

Correction wiring to lamp-capacitor WirePos 42

DATE: 2007-08-24

Electrolux logo

349 5665

Wiring oven assembly

POS No	Component
29	1 Wirecrimp per timer
28	1 Thermostat 200 oven
27	1 Power board switch start
26	3 Load line oven lamp
25	1 Thermostat 1500 oven
24	1 Thermostat 1000 oven
23	1 Thermostat 1000 oven
22	1 Thermostat 1000 oven
21	1 Thermostat 1000 oven
20	1 Thermostat 1000 oven
19	1 Thermostat 1000 oven
18	1 Thermostat 1000 oven
17	1 Thermostat 1000 oven
16	1 Thermostat 1000 oven
15	1 Thermostat 1000 oven
14	1 Thermostat 1000 oven
13	1 Thermostat 1000 oven
12	1 Thermostat 1000 oven
11	1 Thermostat 1000 oven
10	1 Thermostat 1000 oven
9	1 Thermostat 1000 oven
8	1 Thermostat 1000 oven
7	1 Thermostat 1000 oven
6	1 Thermostat 1000 oven
5	1 Thermostat 1000 oven
4	1 Thermostat 1000 oven
3	1 Thermostat 1000 oven
2	1 Thermostat 1000 oven
1	1 Thermostat 1000 oven