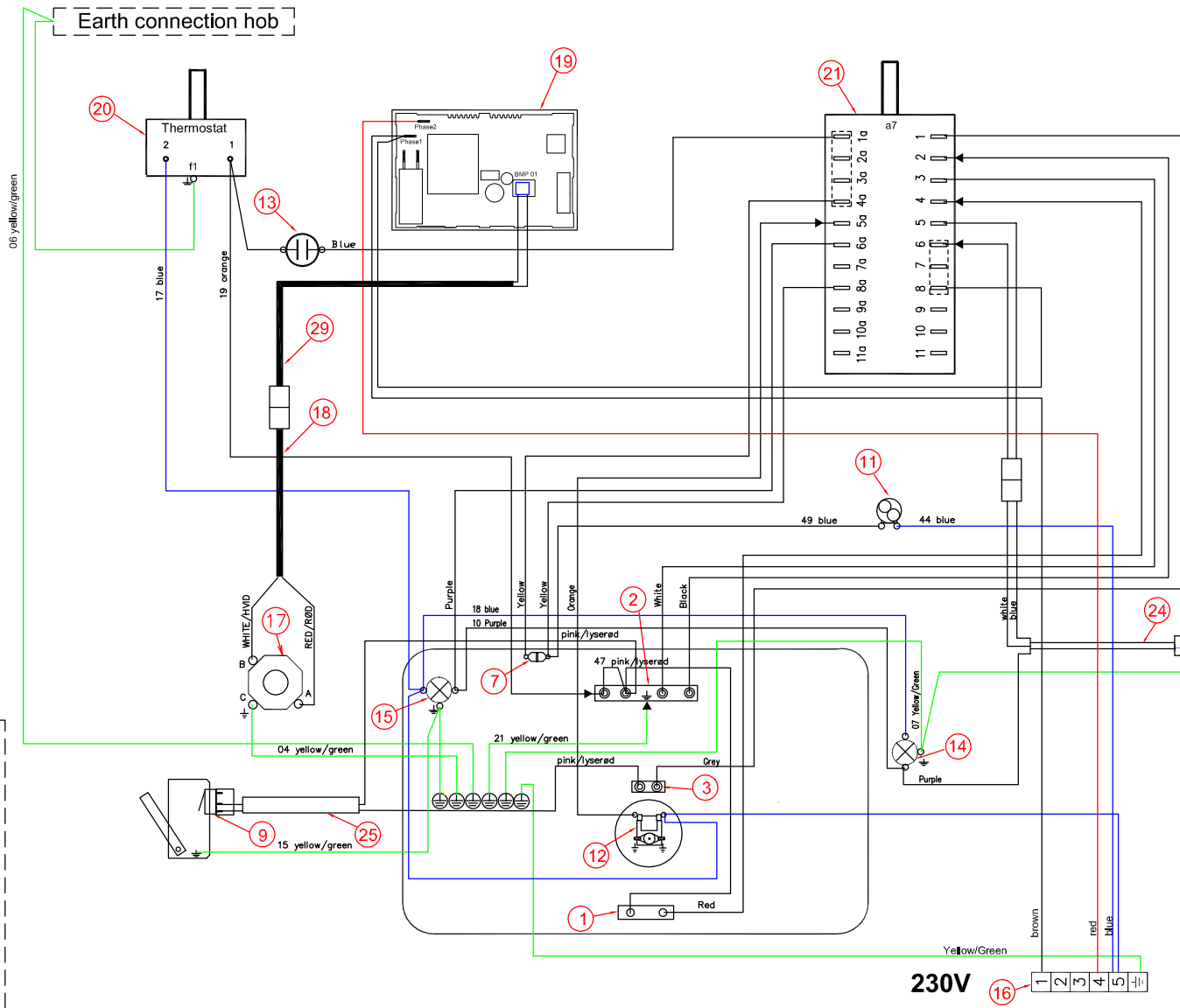
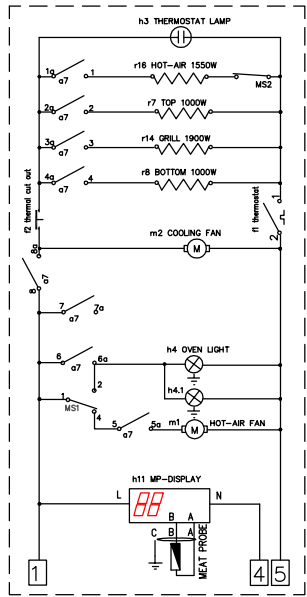


This drawing contains confidential information and is the property of Electrolux. Without whose permission it shall not be reproduced, stored in a retrieval system or otherwise used and it is to be returned to the originator upon request to the design owner, who is responsible for the drawing.

Items shown in this drawing must not contain substances that are banned according to Directive 2002/95/EC, the RoHS Directive. Cadmium, Mercury, Hexavalent Chromium, Lead, Polychlorinated Biphenyls (PCBs), Polycyclic Aromatic Hydrocarbons (PAHs) or "Restrictive" according to the Electrolux Restricted Materials List.



29	1	Wireset MP timer
28	-	
27	-	
26	-	
25	1	WIRESET DOORSWITCH hot air element
24	1	WIRESET DOORSWITCH
23	-	
22	-	
21	1	Main switch/ oven function
20	1	THERMOSTAT
19	1	HEATPROBE DISPLAY
18	1	Wireset MP socket
17	1	JACK PLUG
16	1	TERMINAL STRIP 6 POLS, SNAP
15	1	OVEN LAMP TOP
14	1	OVEN LAMP SIDE
13	1	THERMOSTAT LAMP, ORANGE
12	1	FANMOTOR HOTAIR/ROVEN
11	1	COOLING FAN
10	-	
9	2	MICROSWITCH FAN/LIGHT
8	-	
7	1	THERMAL CUT OUT
6	-	
5	-	
4	-	
3	1	HEATINGELE. HOTAIR 1400W
2	1	HEATINGELE. TOP 1000/1900W
1	1	HEATINGELE. LOWER 1000W

POS ANT GENSTAND

ID	DESCRIPTION	ELUX PART NO.
	Oven harness	349 7143 04
	Main terminal harness	see hob diagram
	List of single wires	349 7170 02
	Component list	330 2222
	INSULATION HOUSING	

349 5662-02					
VARIANT NUMBER	REPLACED NUMBER	POS.	MODEL	DESIGN USERS	CHANGES FROM THE BASE NUMBER

A First edition		S.Ah	ABS 5439	2007-06-20
POS.	MODIFICATIONS		SIGNATURE	REQUEST
MATERIAL	WEIGHT		DESIGN USERS	REPLACES
TREATMENT	DERIVED FROM		SUPPLY SPECIFICATIONS	
DESIGN OWNER	DRN	S.Ah	OP	S.Ah
DATE	2007-06-20	APR	S.Ah	EXACT 3D
TITLE				Wiring oven assembly Induction
Electrolux			NUMBER	349 5662
			REV	A
			SHEET	