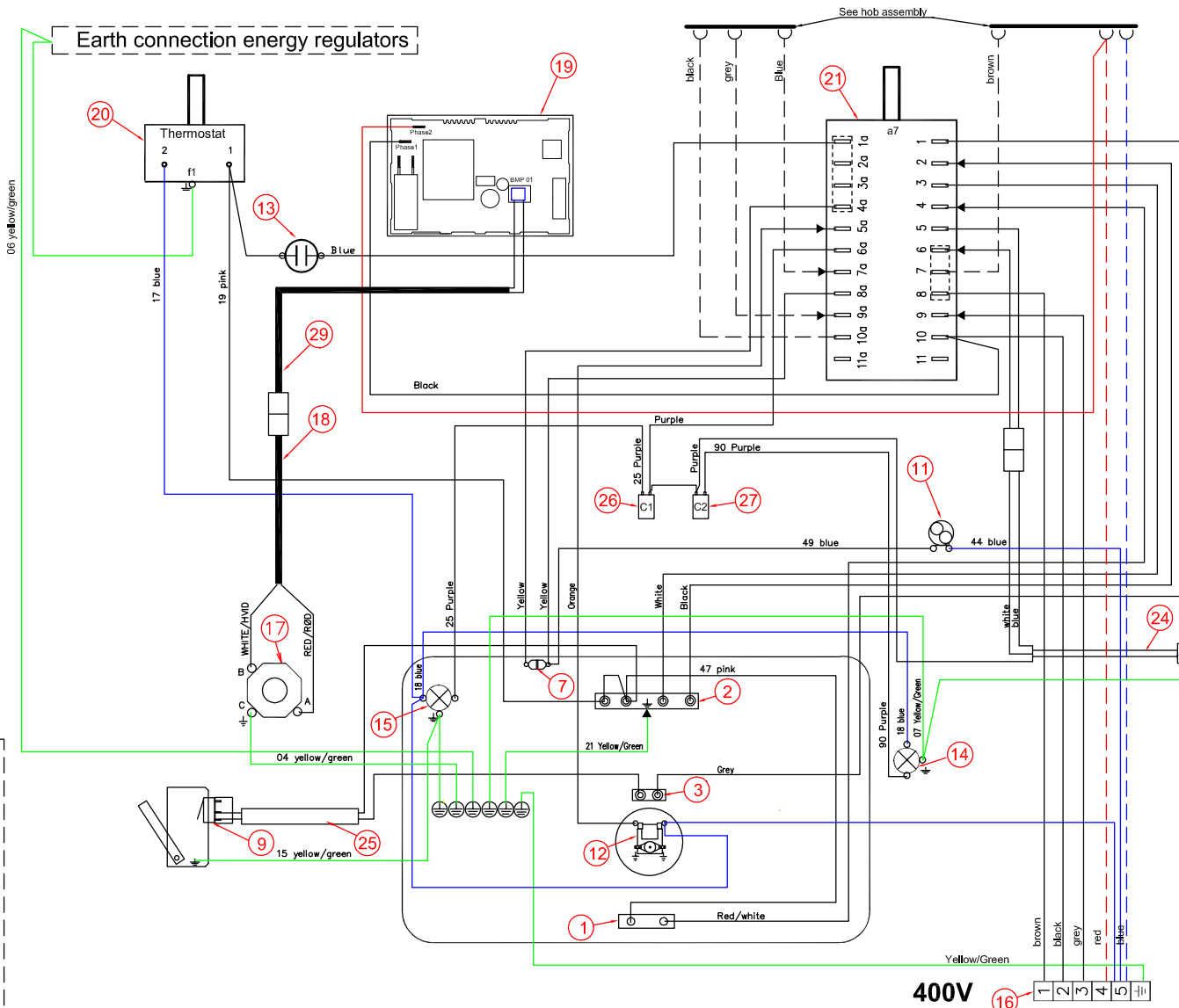
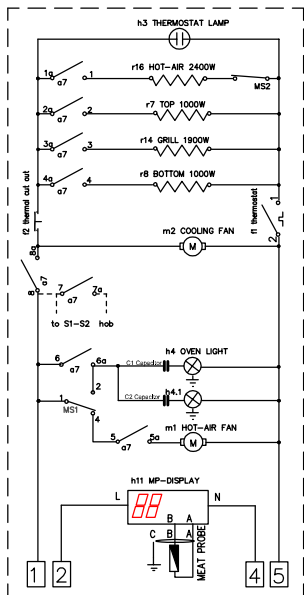


This drawing contains confidential information and is the property of Electrolux. Without whose permission the contents of this drawing shall not be reproduced, stored in a retrieval system or otherwise used and it is to be returned immediately upon request to the design owner, who is responsible for the drawing.

Items shown in this drawing must not contain substances that are banned according to Directive 2002/95/EC, the RoHS Directive. Cadmium, Mercury, Hexavalent Chromium, Lead and Polychlorinated Biphenyls (PCBs) or "Restrictive" according to the Electrolux Restricted Materials List.



29	1	Wireset MP timer
28	-	
27	1	Capacitor oven lamp 25W
26	1	Capacitor oven lamp 40W
25	1	WIRESET DOORSWITCH hot air element
24	1	WIRESET DOORSWITCH
23	-	
22	-	
21	1	Main switch/ oven function
20	1	THERMOSTAT
19	1	MEATPROBE DISPLAY
18	1	Wireset MP socket
17	1	JACK SOCKET
16	1	TERMINAL STRIP 6 PINS, SNAP
15	1	OVEN LAMP TOP
14	1	OVEN LAMP SIDE
13	1	THERMOSTAT LAMP
12	1	FAN MOTOR METALROVEN
11	1	COOLING FAN
10	-	
9	2	MICROSWITCH FAN/LIGHT
8	-	
7	1	THERMAL CUT OUT
6	-	
5	-	
4	-	
3	1	HEATINGELEM. HOTAIR 2400W
2	1	HEATINGELEM. TOP 1000/1900W
1	1	HEATINGELEM. LOWER 1000W
POS/ANT		GENSTAND

ID	DESCRIPTION	ELUX PART NO.
	Oven selector wiring	349 4276
	INSULATION HOUSING	
	LIST OF CRIMP CONTACTS	330 1766
	Component list	330 2222
24	Wire door switch	349 5325-01
25	Wire door switch	349 4194-01

349 5661-02					
VARIANT NUMBER	REPLACED NUMBER	POS.	MODEL	DESIGN USERS	CHANGES FROM THE BASE MODEL

A First edition		S.A.H	ABS 5439	2006-09-28
POS.	MODIFICATIONS	SIGNATURE	REQUEST	DATE
MATERIAL	SCALE	DESIGN USERS	REPLACES	EUROPEAN METHOD
TREATMENT	WEIGHT	DERIVED FROM	SUPPLY SPECIFICATIONS	
DESIGN OWNER	CHK S.A.H	CP S.A.H	DRYING ED	
	DATE 2006-09-28	APP S.A.H	REVIEW ED	
TITLE				REV A
Wiring oven assembly				
			NUMBER	REV
			349 5661	A
			SHEET	