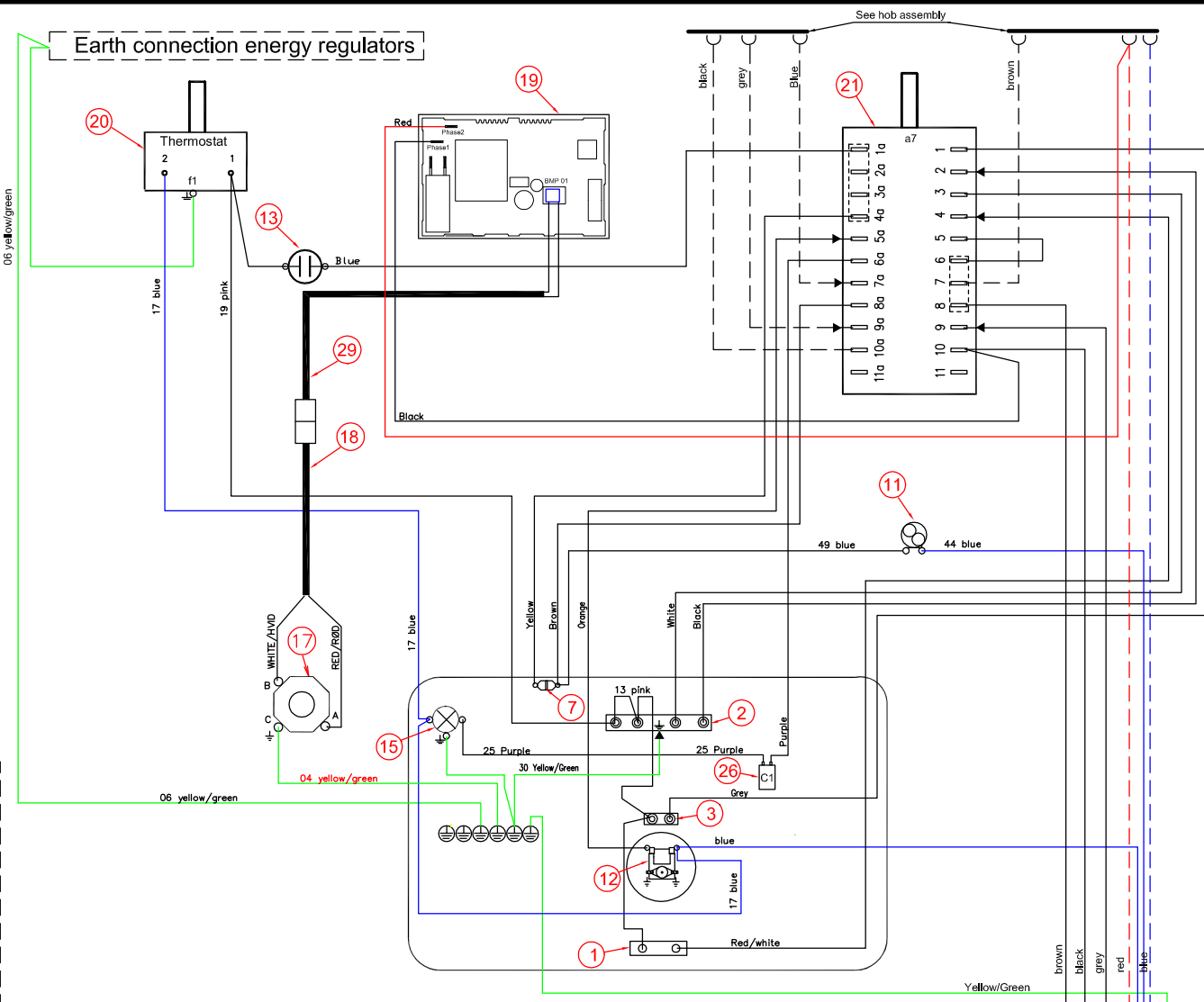
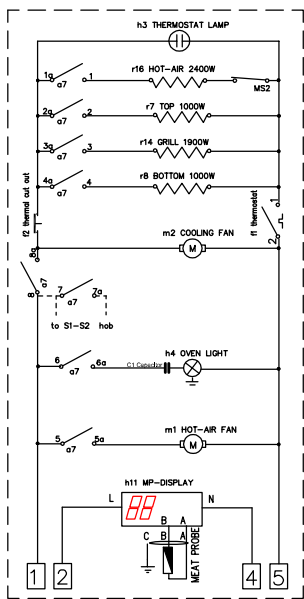


This drawing contains confidential information and is the property of Electrolux, without whose permission it may not be reproduced, stored in a retrieval system or otherwise used and it is to be returned immediately upon request to the design owner, who is responsible for the drawing.

Items shown in this drawing must not contain substances that are banned according to Directive 2002/95/EC, the RoHS Directive. Components, materials, processes and substances used must be RoHS compliant. Components, materials, processes and substances used must be RoHS compliant. Components, materials, processes and substances used must be RoHS compliant. Components, materials, processes and substances used must be RoHS compliant.

GENERAL TOLERANCES ANGLES AND DIMENSIONS



29	1	Wire set meat probe timer
28	-	
27	-	
26	1	Capacitor oven lamp 40W
25	-	
24	-	
23	-	
22	-	
21	1	Main switch/ oven function
20	1	Thermostat
19	1	Meat probe display
18	1	Wire set meat probe socket
17	1	Jack socket
16	1	Main terminal 6 pole snap in
15	1	Oven lamp back
14	-	
13	1	Thermostat lamp
12	1	Fan motor hot air oven
11	1	Cooling fan
10	-	
9	-	
8	-	
7	-	
6	-	
5	-	
4	-	
3	1	Heating element hot air
2	1	Heating element top
1	1	Heating element bottom
POS/ANT		GENSTAND

ID	DESCRIPTION	ELUX PART NO.
	Oven selector wiring	349 5190
	INSULATION HOUSING	
	LIST OF CRIMP CONTACTS	330 1766
	Component list	330 2222

349 5659-02									
VARIANT NUMBER	REPLACED NUMBER	POS.	MODEL	DESIGN USERS	CHANGES FROM THE BASE NUMBER				

A First edition		S.Ahl	ABS5439	2007.06.18
POS.	MODIFICATIONS	SIGNATURE	REQUEST	DATE
MATERIAL	SCALE	DESIGN USERS	REPLACES	EUROPEAN METHOD
TREATMENT	WEIGHT	DERIVED FROM	SUPPLY SPECIFICATIONS	
DESIGN OWNER	DATE 2007-06-18	TITLE	Wiring oven assembly	
		NUMBER	349 5659	REV. A
		SHEET		