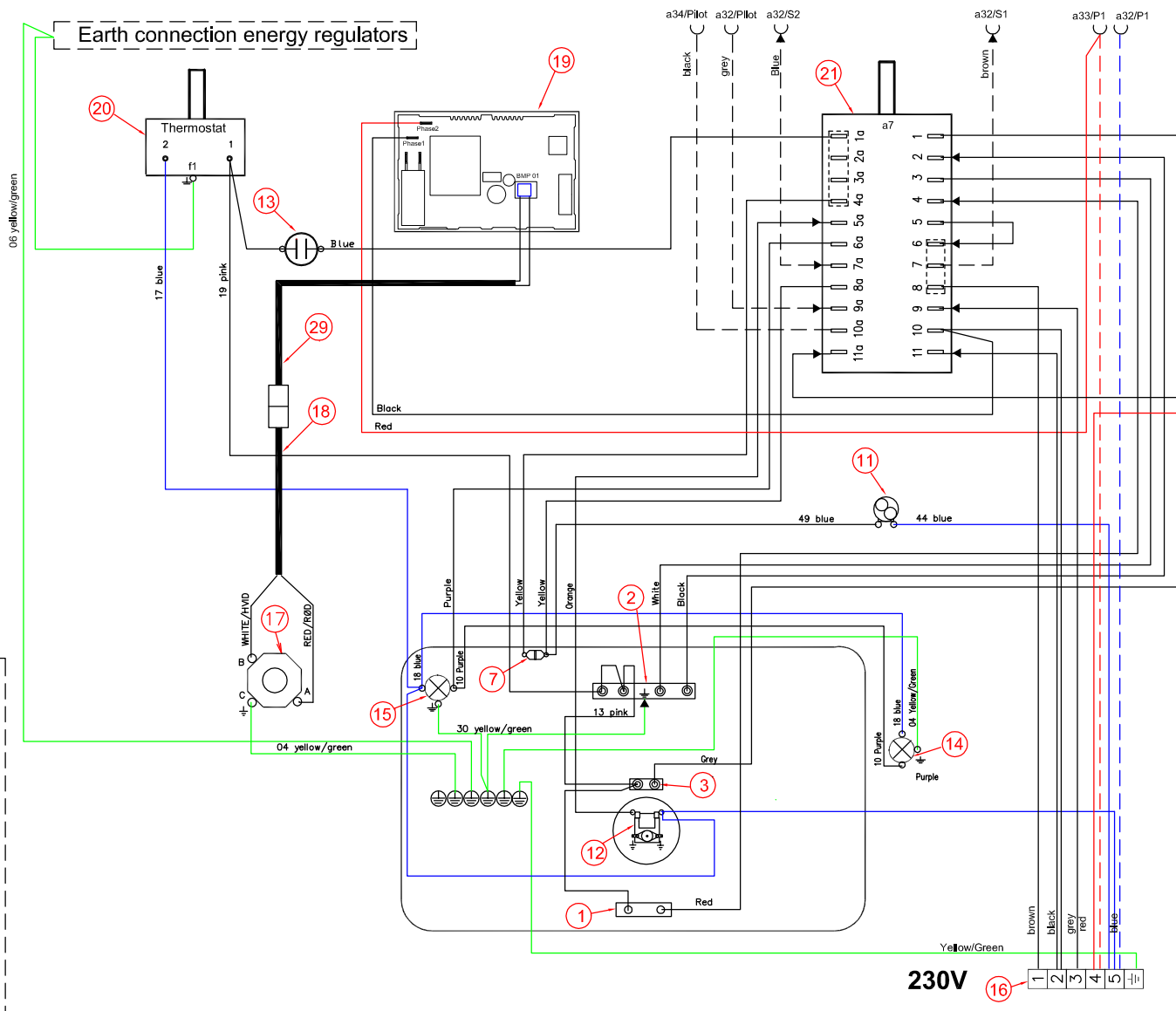
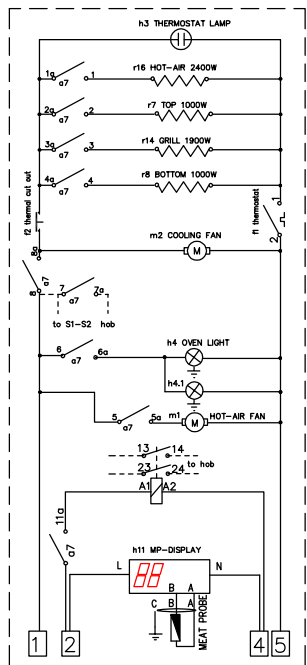


This drawing contains confidential information and is the property of Electrolux. Without whose permission it shall not be reproduced, stored in a retrieval system or otherwise used and it is to be returned to the party upon request to the design owner, who is responsible for the drawing.

Items shown in this drawing must not contain substances that are banned according to Directive 2002/95/EC, the RoHS Directive. Cadmium, Mercury, Hexavalent Chromium, Lead, Polychlorinated Biphenyls (PCBs), Polycyclic Aromatic Hydrocarbons (PAHs) and Phthalates are not to be used. "Banned" or "Restricted" according to the Electrolux Restricted Materials List.



| | | |
|---------|---|-----------------------------|
| 29 | 1 | Wireset MP timer |
| 28 | - | |
| 27 | - | |
| 26 | - | |
| 25 | - | |
| 24 | - | |
| 23 | - | |
| 22 | - | |
| 21 | 1 | Main switch/ oven function |
| 20 | 1 | THERMOSTAT |
| 19 | 1 | HEATINGE DISPLAY |
| 18 | 1 | Wireset MP socket |
| 17 | 1 | JACK PLUG |
| 16 | 1 | TERMINAL STRIP 6 PINS, SNAP |
| 15 | 1 | OVEN LAMP TOP |
| 14 | 1 | OVEN LAMP SIDE |
| 13 | 1 | THERMOSTAT LAMP |
| 12 | 1 | FANMOTOR HOTAIR/OVEN |
| 11 | 1 | COOLING FAN |
| 10 | - | |
| 9 | - | |
| 8 | - | |
| 7 | 1 | THERMAL CUT OUT |
| 6 | - | |
| 5 | - | |
| 4 | - | |
| 3 | 1 | HEATINGELE HOTAIR 2400W |
| 2 | 1 | HEATINGELE TOP 1000/1900W |
| 1 | 1 | HEATINGELE LOWER 1000W |
| POS/ANT | | GENSTAND |

| ID | DESCRIPTION | ELUX PART NO. |
|----|------------------------|---------------|
| | Oven selector wiring | 349 5684 |
| | INSULATION HOUSING | |
| | LIST OF CRIMP CONTACTS | 330 1766 |
| | Component list | 330 2222 |

| 349 5655-02 | | | | | | | | | |
|----------------|-----------------|------|-------|--------------|------------------------------|--|--|--|--|
| VARIANT NUMBER | REPLACED NUMBER | POS. | MODEL | DESIGN USERS | CHANGES FROM THE BASE NUMBER | | | | |

| | | | | |
|-----------------|-----------------|--------------|----------------------------|-----------------|
| A First edition | | S.A.H | ABS5439 | 2007-06-15 |
| POS | MODIFICATIONS | SIGNATURE | REQUEST | DATE |
| MATERIAL | WEIGHT | DESIGN USERS | REPLACES | EUROPEAN METHOD |
| TREATMENT | WEIGHT | DESIGN USERS | DERIVED FROM | |
| DESIGN OWNER | DATE 2007-06-15 | APP. S.A.H | TITLE Wiring oven assembly | |
| | | NUMBER | 349 5655 | REV. A |
| | | SHEET | | |