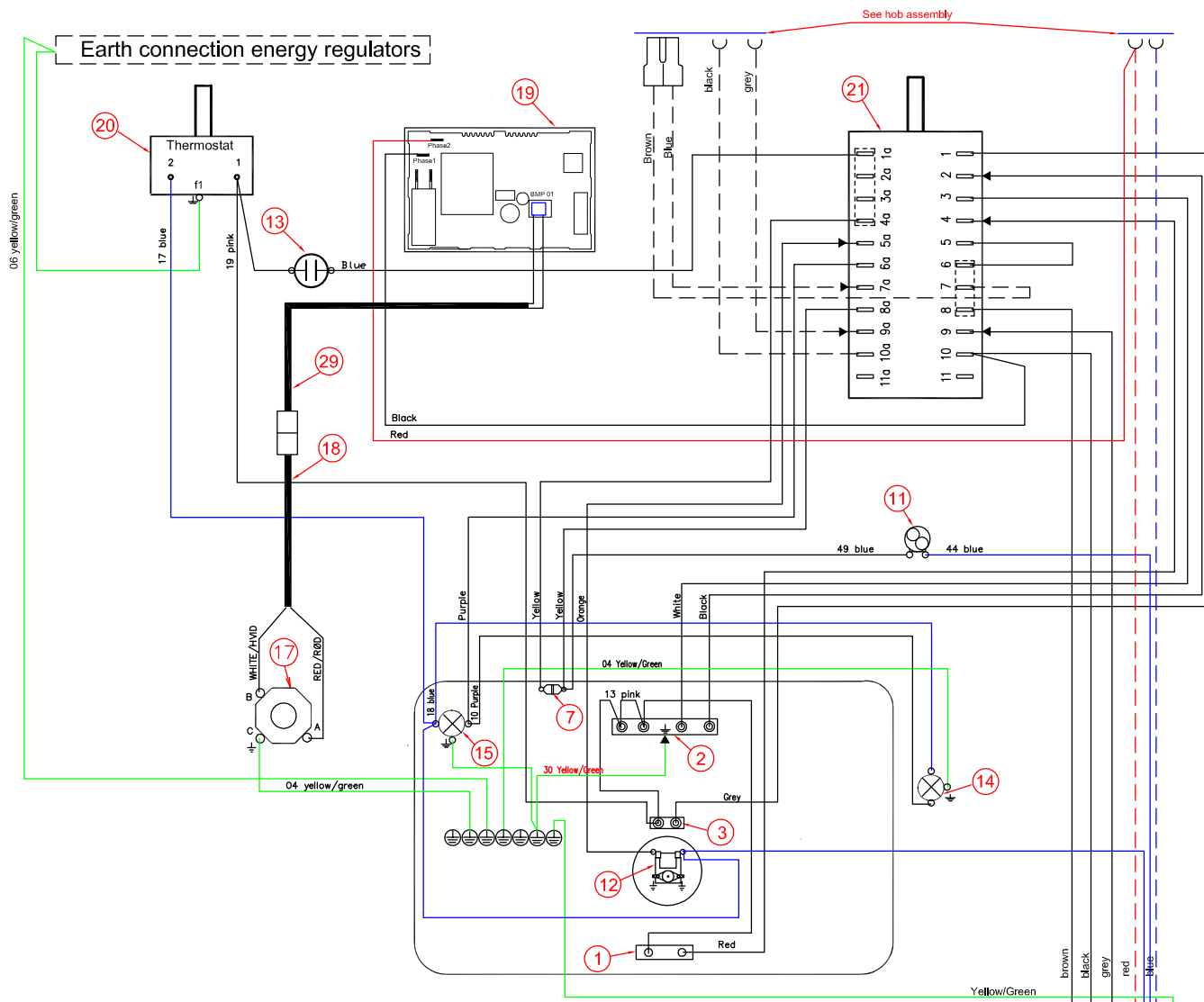
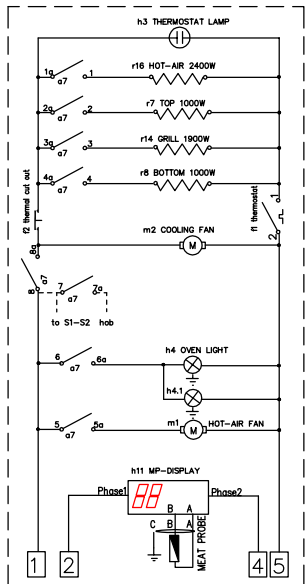


This drawing contains confidential information and is the property of Electrolux, without whose permission it shall not be reproduced, stored in a retrieval system or otherwise used and it is to be returned upon request to the design owner, who is responsible for the drawing.

Items shown in this drawing must not contain substances that are banned according to Directive 2002/95/EC, the RoHS Directive, and Commission Decision 2005/618/EC. The RoHS substances are: Lead (Pb), Hexavalent Chromium (Cr VI), Polychlorinated Biphenyls (PCB) and Polycyclic Aromatic Hydrocarbons (PAHs) or "Restrictive" according to the Electrolux Restricted Materials List.



Pos No	Components
29	1 Wireset MP timer
28	-
27	-
26	-
25	-
24	-
23	-
22	-
21	1 Function switch/ Main switch
20	1 Thermostat oven
19	1 Meatprobe display
18	1 Wireset MP socket
17	1 Jack socket
16	1 Main terminal 6 Pole snap in
15	1 Oven lamp back panel
14	1 Oven lamp side
13	1 Control Lamp oven
12	1 Fan Motor Hot Air Oven
11	1 Cooling fan
10	-
9	-
8	-
7	1 Thermal cut out
6	-
5	-
4	-
3	1 Heating element hot air
2	1 Heating element top
1	1 Heating element lower

ID	DESCRIPTION	ELUX PART NO.
	Oven selector wiring	349 4274
	INSULATION HOUSING	
	LIST OF CRIMP CONTACTS	330 1766
	Component list	330 2222

VARIANT NUMBER	REPLACED NUMBER	POS.	MODEL	DESIGN USERS	CHANGES FROM THE BASE NUMBER
349 5651-02					

A First edition		S.Ah	ABS5439	2007-06-13
POS	MODIFICATIONS	SIGNATURE	REQUEST	DATE
MATERIAL	WEIGHT	DESIGN USERS	REPLACES	EUROPEAN METHOD
TREATMENT	WEIGHT	DESIGN USERS	DERIVED FROM	
DESIGN OWNER	DATE	APP.	DATE	TITLE
DRK S.Ah	2007-06-13	S.Ah	2007-06-13	Wiring oven assembly
<b>Electrolux</b>				NUMBER <b>349 5651</b>
				REV <b>A</b>
				SHEET